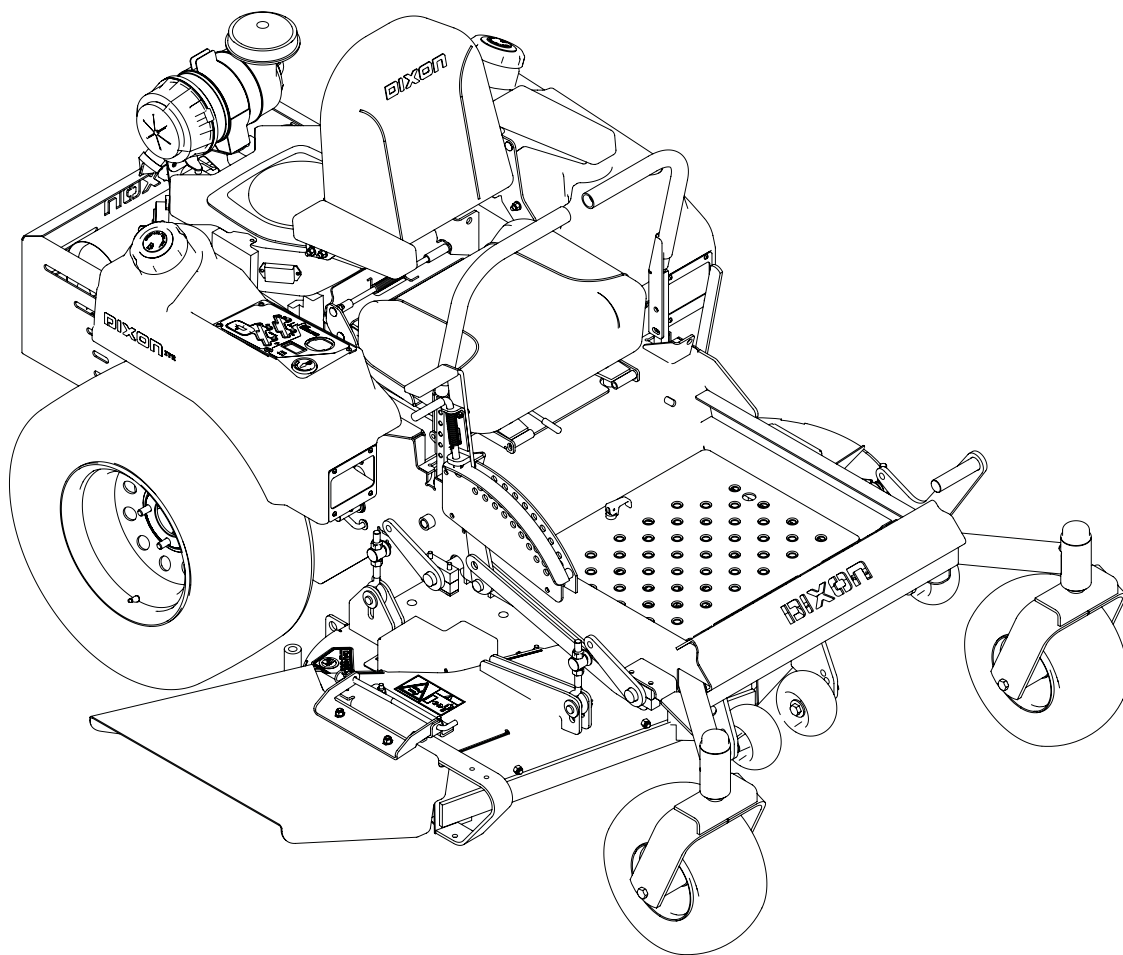


DIXON ZTR®

GRIZZLY™

ZTR®



Parts Manual

GRIZZLY 52, 27 KOH/968999588

GRIZZLY 60, 27 KOH/968999590

GRIZZLY 60, 30 KOH/968999591

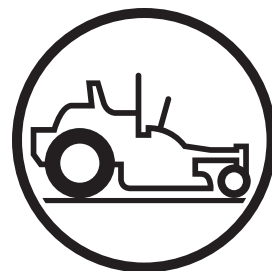
GRIZZLY 72, 30 KOH/968999592

GRIZZLY 60, 27 KOH/968999626

GRIZZLY 60, 30 KOH/968999627

GRIZZLY 72, 30 KOH/968999628

Please read the operator's manual carefully and make sure you understand the instructions before using the machine.



MODEL NUMBER _____

SERIAL NUMBER _____

DATE PURCHASED _____

DEALER ADDRESS _____

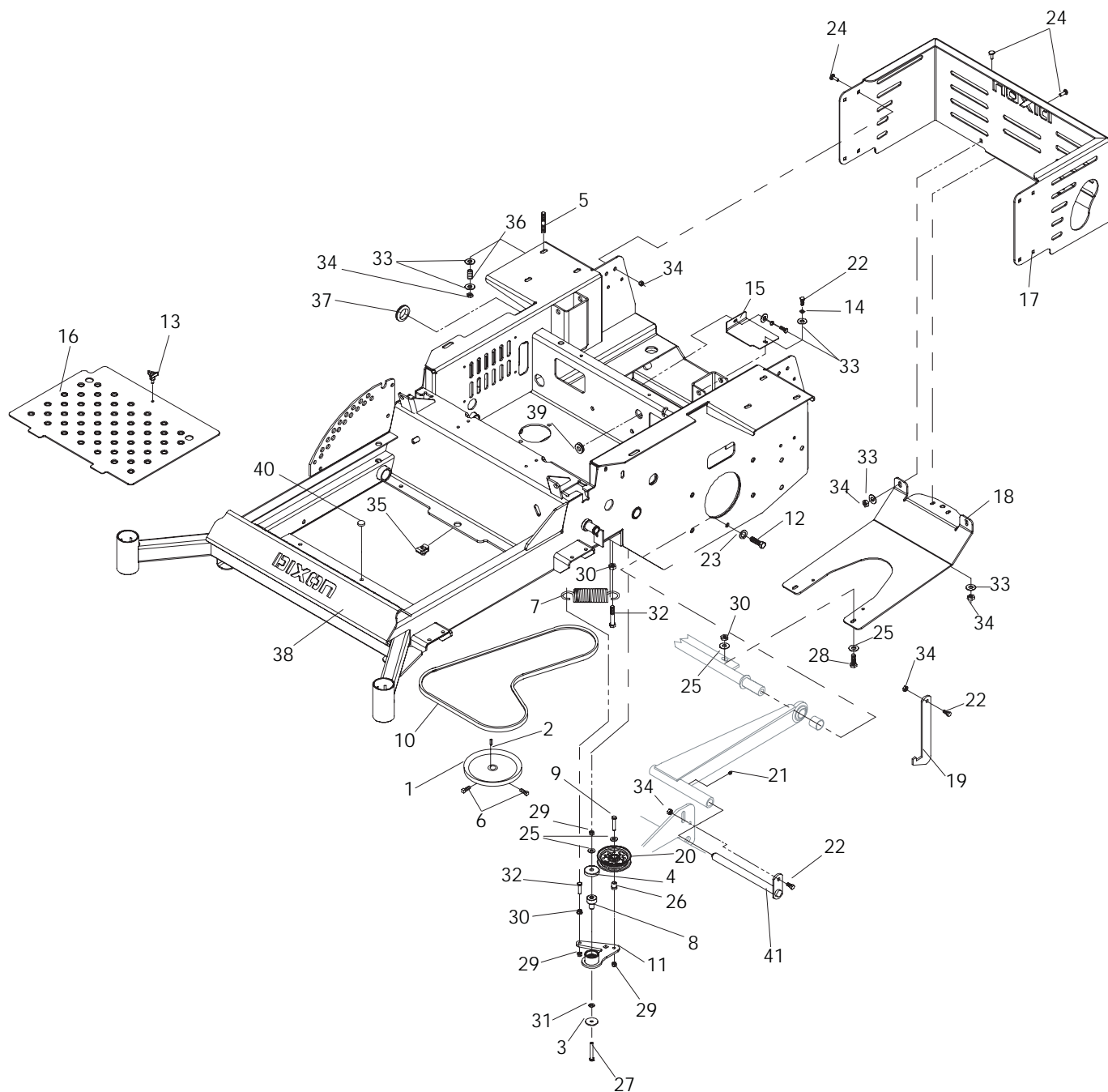
NOTES: _____

CONTENTS

| SECTION | PAGE | SECTION | PAGE |
|------------------------------|-------------|------------------------------|-------------|
| CHASSIS / FRAME | 4-5 | 72 INCH CUTTING DECK..... | 24-25 |
| ENGINES | 6-11 | CONTROLS..... | 26-27 |
| STEERING | 12-13 | SEAT | 28-31 |
| PARKING BRAKE | 14-15 | CASTERS..... | 32-33 |
| HYDRAULIC PUMP / MOTOR | 16-17 | ELECTRICAL | 34-35 |
| MOWER / DECK LIFT | 18-19 | DECALS | 36-37 |
| 52 INCH CUTTING DECK..... | 20-21 | PROTECTION FRAME, ROPS | 38-39 |
| 60 INCH CUTTING DECK..... | 22-23 | SCHEMATICS | 40-41 |

NOTE: ALL FASTENERS ARE GRADE 5 UNLESS OTHERWISE SPECIFIED.

CHASSIS / FRAME

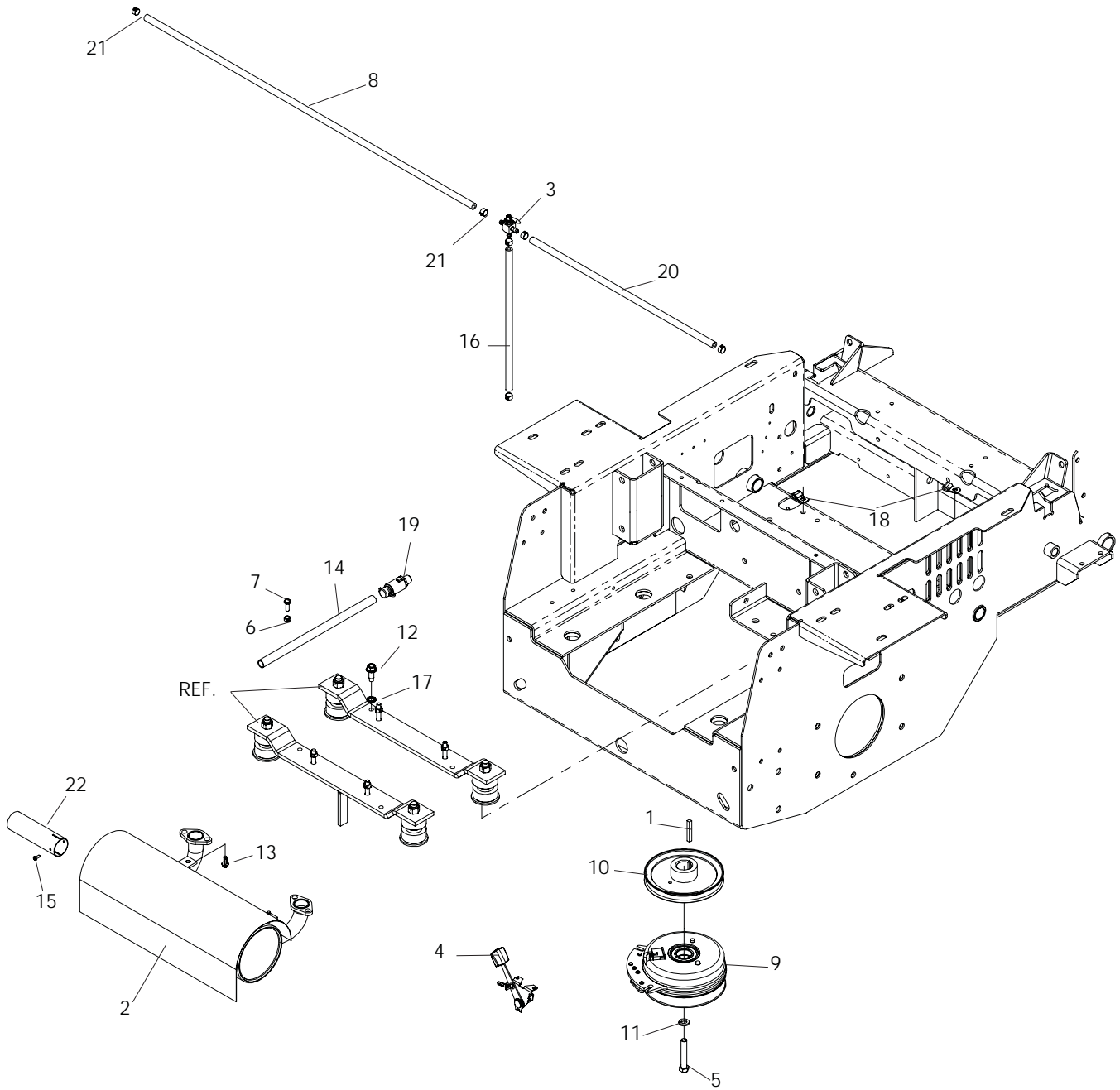


CHASSIS / FRAME

| ITEM | PART NO. | QTY. | DESCRIPTION | ITEM | PART NO. | QTY. | DESCRIPTION |
|------|------------|------|----------------------|----------------|------------|--|---|
| 1 | 539 101176 | 2 | PULLEY | 30 | 539 990613 | 2 | NUT, 3/8, WHIZ |
| 2 | 539 101177 | 2 | KEY 5MM SQ x 25MM | 31 | 539 990122 | 1 | WASHER, 3/8, SAE |
| 3 | 539 111897 | 1 | WASHER, 3/8 SPECIAL | 32 | 539 990655 | 2 | HCS 3/8 x 1 1/2 |
| 4 | 539 114662 | 1 | SHIELD, DUST | 33 | 539 990692 | 22 | 5/16 FLAT WASHER |
| 5 | 539 102502 | 2 | STUD | 34 | 539 990717 | 3 | 5/16 NYLOC NUT |
| 6 | 539 102717 | 2 | SET SCREW | 35 | 539 104763 | 1 | "U" CLIP, 5/16C |
| 7 | 539 103256 | 1 | SPRING | 36 | 539 102845 | 8 | SPRING |
| 8 | 539 130205 | 1 | PIVOT BEARING | 37 | 539 114982 | 1 | GROMMET |
| 9 | 539 990588 | 1 | HCS, 3/8 -16 x 2 | 38 | 539 114610 | 1 | FRAME W/DECALS, MODELS, 968999588, 968999590, 968999591, 968999626, 968999627 UNITS PRODUCED PRIOR TO SERIAL NO. 0741XXXXX |
| 10 | 539 104334 | 1 | PUMP BELT |539 132223 |1 | FRAME W/DECALS, MODELS, 968999588, 968999590, 968999591, 968999626, 968999627 UNITS PRODUCED AFTER SERIAL NO. 0741XXXXX | |
| 11 | 539 130392 | 1 | IDLER ARM |539 132349 |1 | FRAME W/DECALS,72" MODELS, 968999592, 968999628 UNITS PRODUCED BEFORE SERIAL NO. 0741XXXXX | |
| 12 | 539 105905 | 2 | HCS 7/16 x 1 GD 8 |539 132226 |1 | FRAME W/DECALS, 72" MODELS, 968999592, 968999628 UNITS PRODUCED AFTER SERIAL NO. 0741XXXXX | |
| 13 | 539 104411 | 1 | KNOB W/STUD | 39 | 539 110433 | 1 | GROMMET, FUEL LINE |
| 14 | 539 990187 | 2 | LOCKWASHER, 5/16 | 40 | 539 102587 | 5 | BUMPER |
| 15 | 539 130828 | 1 | COVER, IDLER | | | | |
| 16 | 539 114611 | 1 | FLOOR PLATE W/DECAL | | | | |
| 17 | 539 114612 | 1 | GRD, REAR W/DECALS | | | | |
| 18 | 539 114573 | 1 | PLATE SKID | | | | |
| 19 | 539 114847 | 1 | SEAT STOP | | | | |
| 20 | 539 976688 | 1 | IDLER PULLEY | | | | |
| 21 | 539 976998 | 2 | ZERK | | | | |
| 22 | 539 990209 | 7 | HCS 5/16 x 1 | | | | |
| 23 | 539 990247 | 2 | 7/16 LOCKWASHER | | | | |
| 24 | 539 990316 | 12 | RHSNB 5/16 x 3/4 | | | | |
| 25 | 539 990517 | 6 | WASHER, 3/8 | | | | |
| 26 | 539 976695 | 1 | BUSHING, IDLER | | | | |
| 27 | 539 106492 | 1 | HCS, 3/8C-16 x 2 3/4 | | | | |
| 28 | 539 990563 | 2 | HCS 3/8 x 1 | | | | |
| 29 | 539 976979 | 2 | NUT, 3/8C, NYLOC | | | | |

ENGINE

KOHLER
Units Produced Before Serial No. 0741xxxxx



ENGINE

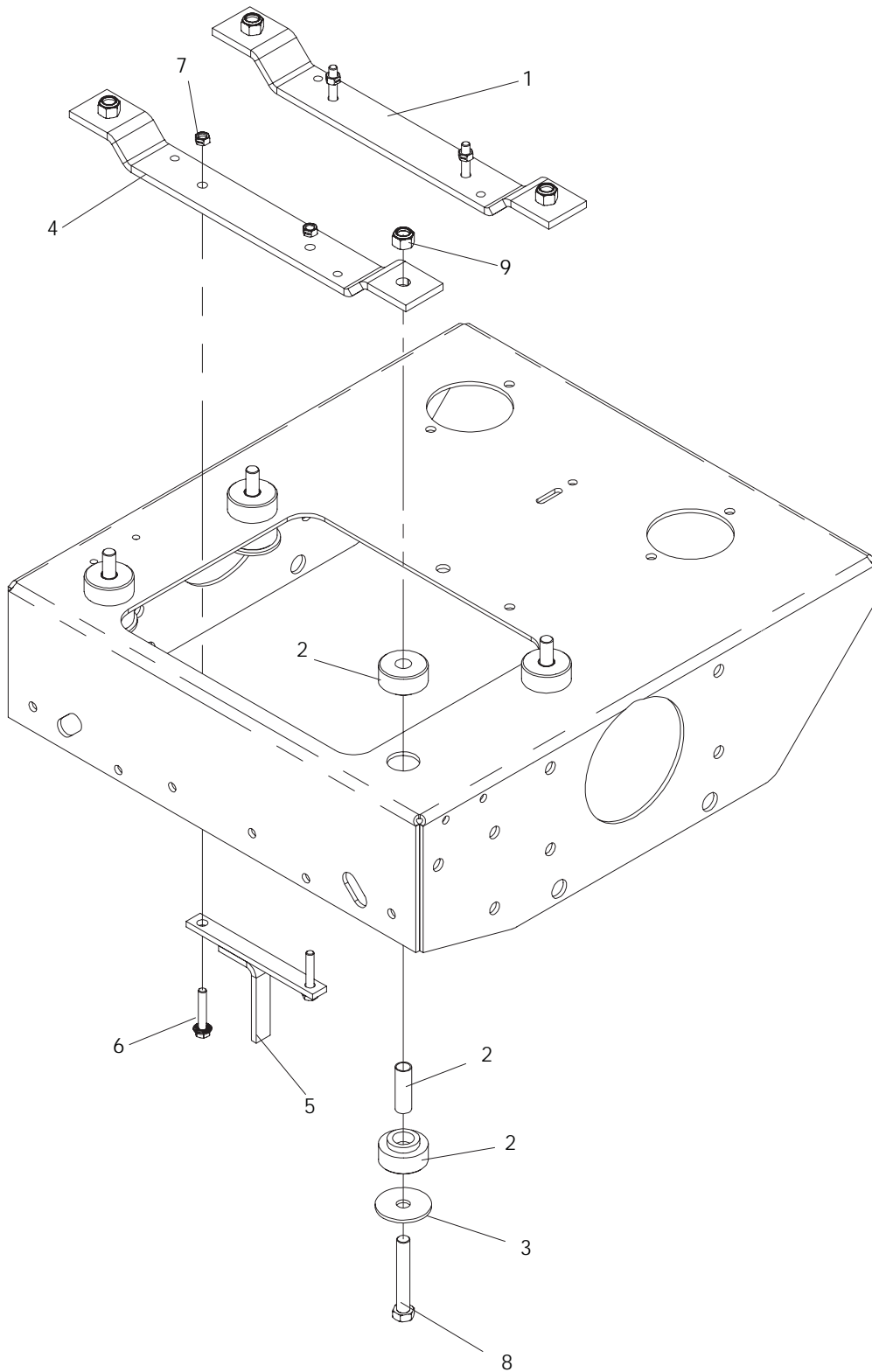
KOHLER

Units Produced Before Serial No. 0741xxxxx

| ITEM | PART NO. | QTY. | DESCRIPTION | ITEM | PART NO. | QTY. | DESCRIPTION |
|--------|----------------|-------|--------------------------|-----------|----------------|-------|-------------------------|
| 1.... | 539 100152.... | 1 ... | KEY, ¼ SQ. x 1.875 | 14.... | 539 107937.... | 1 ... | OIL DRAIN HOSE |
| 2.... | 539 118684.... | 1 ... | MUFFLER | 15.... | 539 108051.... | 1 ... | SCREW, 8 x ½ SELF DRILL |
| 3.... | 539 102679.... | 1 ... | FUEL VALVE | 16.... | 539 108212.... | 1 ... | FUEL LINE |
| 4.... | 539 121866.... | 1 ... | CHOKE CABLE | 17.... | 539 109603.... | 1 ... | WASH ¾ EXT STAR |
| 5.... | 539 991120.... | 1 ... | HCS 7/16 -20 x 2½ | 18.... | 539 109867.... | 2 ... | DOUBLE TUBE CLAMP |
| 6.... | 539 990761.... | 1 ... | NUT, ½ ,CENTER LOCK | 19.... | 539 110093.... | 1 ... | PLUG, OIL DRAIN |
| 7.... | 539 990580.... | 1 ... | HCS ¼ -20 x ¾ | 20.... | 539 922091.... | 1 ... | FUEL LINE |
| 8.... | 539 105280.... | 1 ... | FUEL LINE | 21.... | 539 912222.... | 6 ... | HOSE CLAMP |
| 9.... | 539 105406.... | 1 ... | CLUTCH, 200 FT/LBS | 22.... | 539 114714.... | 1 ... | TUBE, EXTEN MUFFLR |
| 10.... | 539 106057.... | 1 ... | PULLEY | NOT SHOWN | | | |
| 11.... | 539 990247.... | 1 ... | LOCKWASHER, 7/16 | | 539 101363.... | 1 ... | CLAMP |
| 12.... | 539 107476.... | 1 ... | SCREW, ¾ -16 x 1 SLF TAP | | 539 102757.... | 1 ... | CABLE, POSITIVE |
| 13.... | 539 107631.... | 2 ... | SCREW, ¼ -20 x 5/8 | | 539 104415.... | 1 ... | KOHLER PIGTAIL |

ENGINE MOUNT

Units Produced Before Serial No. 0741xxxxx



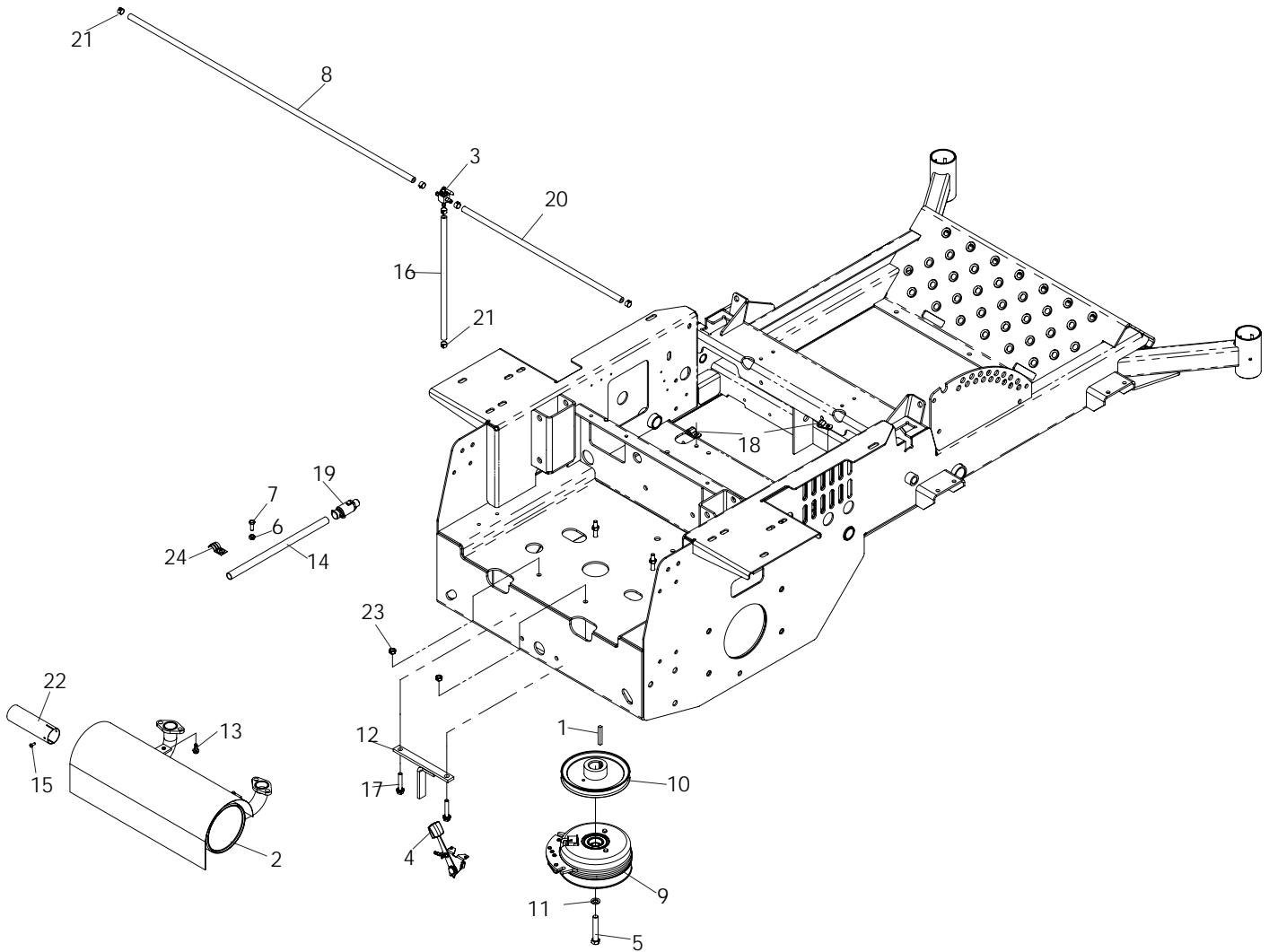
ENGINE MOUNT

Units Produced Before Serial No. 0741xxxxx

| ITEM | PART NO. | QTY. | DESCRIPTION | ITEM | PART NO. | QTY. | DESCRIPTION |
|--------|----------------|-------|-------------------|--------|----------------|-------|---|
| 1.... | 539 105025.... | 1 ... | ENGINE MOUNT | 6..... | 539 113781.... | 4 ... | HCS, $\frac{5}{16}$ -18 x $1\frac{3}{4}$, SERR |
| 2.... | 539 104958.... | 4 ... | ISOLATOR COMPLETE | 7.... | 539 990184.... | 4 ... | NUT, $\frac{5}{16}$ C, CENTER LOCK |
| 3.... | 539 104959.... | 4 ... | ISOLATOR WASHER | 8.... | 539 103433.... | 4 ... | HCS, $\frac{1}{2}$ -13 x $3\frac{1}{4}$ |
| 4..... | 539 114306.... | 1 ... | STRAP, ISO, REAR | 9.... | 539 101331.... | 4 ... | NUT, $\frac{1}{2}$ C, NYLOC |
| 5.... | 539 106819.... | 1 ... | CLUTCH TIE DOWN | | | | |

ENGINE

KOHLER
Units Produced After Serial No. 0741xxxxx



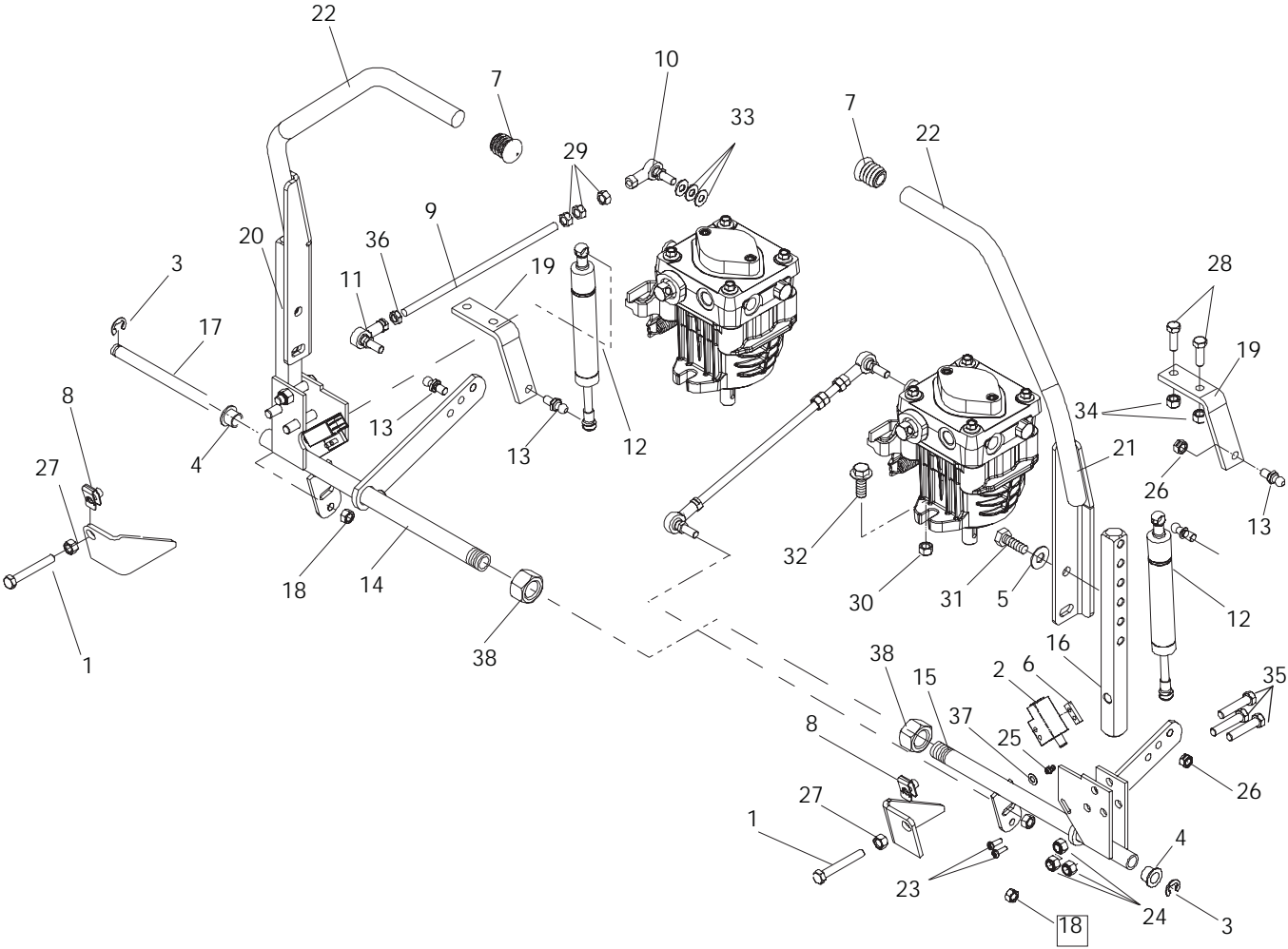
ENGINE

KOHLER

Units Produced After Serial No. 0741xxxxx

| ITEM | PART NO. | QTY. | DESCRIPTION | ITEM | PART NO. | QTY. | DESCRIPTION |
|--------|----------------|-------|------------------------|------------|----------------|-------|--------------------------|
| 1.... | 539 100152.... | 1 ... | KEY, ¼ SQ. X 1.875 | 15.... | 539 108051.... | 1 ... | SCREW, #8 X ½, SLF DRILL |
| 2.... | 539 118684.... | 1 ... | MUFFLER | 16.... | 539 108212.... | 1 ... | FUEL LINE, 13" |
| 3.... | 539 102679.... | 1 ... | FUEL VALVE | 17.... | 539 113781.... | 4 ... | HCS, 5/16-18 X 1¾, SERR |
| 4.... | 539 121866.... | 1 ... | CHOKE CABLE | 18.... | 539 109867.... | 2 ... | CLAMP, DOUBLE TUBE |
| 5.... | 539 991120.... | 1 ... | HCS, 7/16 -20 X 2½ | 19.... | 539 110093.... | 1 ... | PLUG, OIL DRAIN |
| 6.... | 539 990761.... | 1 ... | NUT, ¼ -20, CTRLK | 20.... | 539 922091.... | 1 ... | FUEL LINE |
| 7.... | 539 990580.... | 1 ... | HCS, ¼ -20 X ¾ | 21.... | 539 912222.... | 6 ... | HOSE CLAMP |
| 8.... | 539 105280.... | 1 ... | FUEL LINE, 35" | 22.... | 539 114714.... | 1 ... | TUBE, EXTENSION |
| 9.... | 539 105406.... | 1 ... | CLUTCH | 23.... | 539 990184.... | 4 ... | NUT, 5/16-18, CTRLK |
| 10.... | 539 106057.... | 1 ... | PULLEY | 24.... | 539 101363.... | 1 ... | CLAMP |
| 11.... | 539 990247.... | 1 ... | WASHER, 7/16 | NOT SHOWN: | | | |
| 12.... | 539 106819.... | 1 ... | CLUTCH TIE DOWN | | 539 104416.... | 1 ... | KOHLER PIGTAIL |
| 13.... | 539 107631.... | 2 ... | SCREW, ¼-20 X 5/8, THD | | 539 102757.... | 1 ... | CABLE, POSITIVE |
| 14.... | 539 107937.... | 1 ... | OIL DRAIN HOSE | | | | |

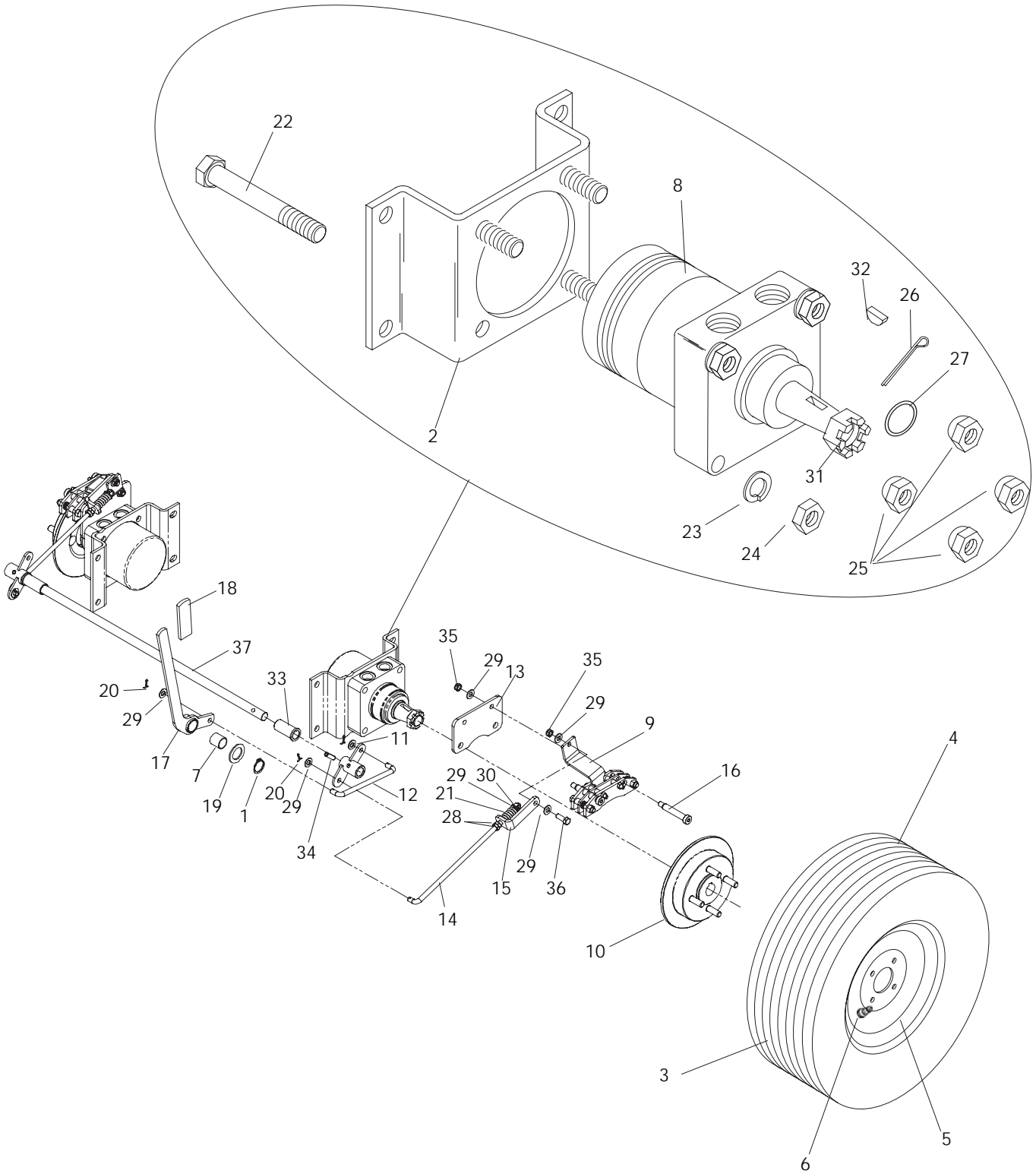
STEERING



STEERING

| ITEM | PART NO. | QTY. | DESCRIPTION | ITEM | PART NO. | QTY. | DESCRIPTION |
|------|------------|------|---------------------|------|------------|------|------------------------|
| 1 | 539 100266 | 2 | HCS ¼ -20 x 1¼ | 20 | 539 114335 | 1 | LEVER, DRIVE, RIGHT |
| 2 | 539 101080 | 2 | SWITCH, INTERLOCK | 21 | 539 114336 | 1 | LEVER, DRIVE, LEFT |
| 3 | 539 101949 | 2 | E-RING, ½" | 22 | 539 122635 | 2 | GRIP |
| 4 | 539 102519 | 2 | BUSHING | 23 | 539 976952 | 4 | SCREW, 10-24 x 5/8 |
| 5 | 539 102593 | 4 | WASHER, 3/8" SPRING | 24 | 539 976979 | 6 | NUT, 3/8 -16 NYLOC |
| 6 | 539 102678 | 2 | TAPPED PLATE | 25 | 539 976998 | 2 | ZERK |
| 7 | 539 122636 | 2 | END PLUG | 26 | 539 990184 | 4 | NUT, 5/16C, CENTERLOCK |
| 8 | 539 104763 | 2 | 'U' CLIP, 5/16C | 27 | 539 990196 | 2 | NUT, 5/16C |
| 9 | 539 105279 | 2 | LINKAGE | 28 | 539 990209 | 4 | HCS, 5/16C x 1 |
| 10 | 539 110603 | 2 | ROD END, RIGHT | 29 | 539 990223 | 6 | NUT, 5/16-24 |
| 11 | 539 110604 | 1 | ROD END, LEFT | 30 | 539 990546 | 4 | NUT, 3/8 CENTERLOCK |
| 12 | 539 110606 | 2 | DAMPENER | 31 | 539 990563 | 6 | HCS, 3/8 C x 1 |
| 13 | 539 110607 | 4 | BALL STUD | 32 | 539 990582 | 4 | HFCS, 3/8 C x 1 |
| 14 | 539 130701 | 1 | CONTROL, RIGHT | 33 | 539 990692 | 8 | WASHER, 5/16 |
| 15 | 536 130702 | 1 | CONTROL, LEFT | 34 | 539 990717 | 4 | NUT, 5/16-18, NYLOC |
| 16 | 536 110638 | 2 | CONTROL ARM | 35 | 539 990730 | 6 | HCS, 5/16-16x1¾ |
| 17 | 539 110833 | 1 | CONTROL SHAFT | 36 | 539 991073 | 1 | NUT, 5/16C |
| 18 | 539 110943 | 4 | NUT, 5/16 C, NYLOC | 37 | 539 103547 | 2 | WASHER, ¼ |
| 19 | 539 111074 | 2 | DAMPENER BRACKET | 38 | 539 990820 | 2 | NUT, ¾-16 |

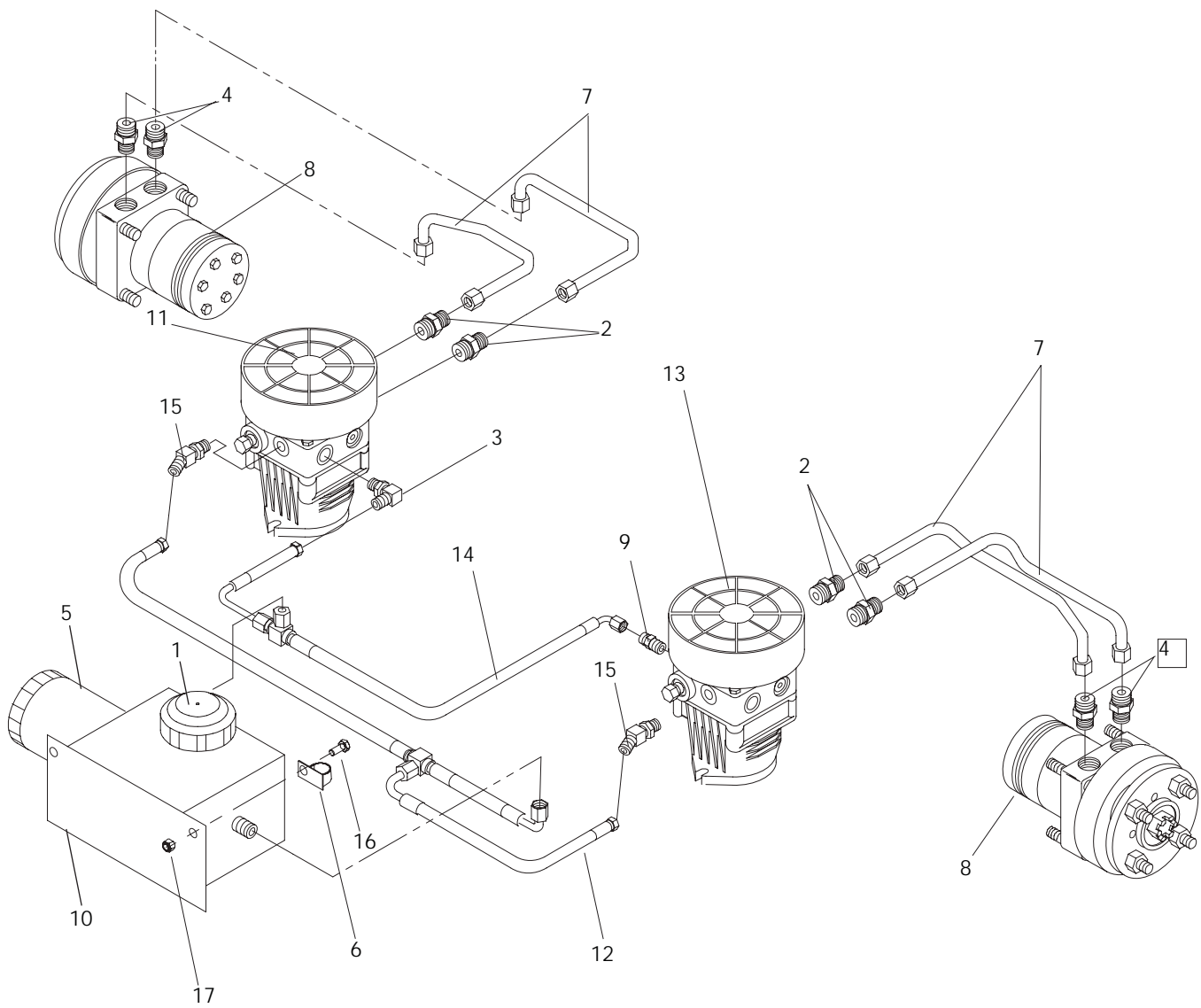
PARKING BRAKE



PARKING BRAKE

| ITEM | PART NO. | QTY. | DESCRIPTION | ITEM | PART NO. | QTY. | DESCRIPTION |
|--------|-----------------|---------|---------------------------|--------|------------|---------|-------------------------|
| 1.... | 539 101151 | 1 | RETAINING RING, 7/8 | 19.... | 539 923787 | 2 | BUSHING |
| 2.... | 539 104327 | 2 | MOTOR STANDOFF | 20.... | 539 990037 | 4 | COTTER |
| 3.... | 539 105486 | 2 | TIRE, COMPLETE, 61" & 72" | 21.... | 539 113952 | 1 | SPRING |
| | 539 112592 | 2 | TIRE, COMPLETE, 52" | 22.... | 539 101332 | 8 | HCS 1/2 x 2 3/4 |
| 4.... | 539 105152 | 1 | TIRE, 24 x 12.0-12 | 23.... | 539 990254 | 8 | LOCKWASHER, 1/2 |
| | 539 112599 | 1 | TIRE, 23 x 9.5-12 | 24.... | 539 990258 | 8 | NUT, 1/2-13 |
| 5.... | 539 105487 | 1 | RIM, 2 1/2" | 25.... | 539 101173 | 8 | LUG NUT, 1/2 |
| | 539 111149 | 1 | RIM, OFFSET 1" | 26.... | 539 104288 | 2 | PIN, COTTER |
| 6.... | 539 912234 | 1 | VALVE STEM | 27.... | 539 916561 | 2 | BUSHING |
| 7.... | 539 108619 | 2 | BUSHING | 28.... | 539 108732 | 2 | NUT 3/8-24 HEX JAM |
| 8.... | 539 110823 | 1 | WHEEL MOTOR | 29.... | 539 990122 | ... 12 | WASHER, 3/8 SAE |
| 9.... | 539 113944 | 1 | CALIPER ASSEM | 30.... | 539 990289 | 1 | NUT, 3/8-24 |
| 10.... | 539 113945 | 1 | HUB | 31.... | 539 105277 | 1 | CASTLE NUT |
| 11.... | 539 113946 | 1 | BELLCRANK, BRAKE | 32.... | 539 105278 | 1 | KEY WOODRUFF |
| 12.... | 539 113947 | 1 | LINKAGE, BRAKE | 33.... | 539 113479 | 2 | BUSHING, 3/4 x 2 |
| 13.... | 539 113948 | 1 | PLATE, BRAKE | 34.... | 539 110631 | 2 | ROLL PIN, 5/16" DIA. |
| 14.... | 539 113949 | 1 | LINKAGE, REAR BRAKE | 35.... | 539 200282 | 6 | NUT, 3/8-16, JAM, NYLOC |
| 15.... | 539 113950 | 1 | L BRACKET | 36.... | 539 990563 | 2 | HCS, 3/8 -16 x 1 |
| 16.... | 539 113951 | 1 | SB 3/8-16 x 2 1/2 SKT HD | 37.... | 539 110624 | 1 | CROSS SHAFT |
| 17.... | 539 114308 | 1 | ARM, BRAKE | | | | |
| 18.... | 539 120921 | 1 | GRIP | | | | |

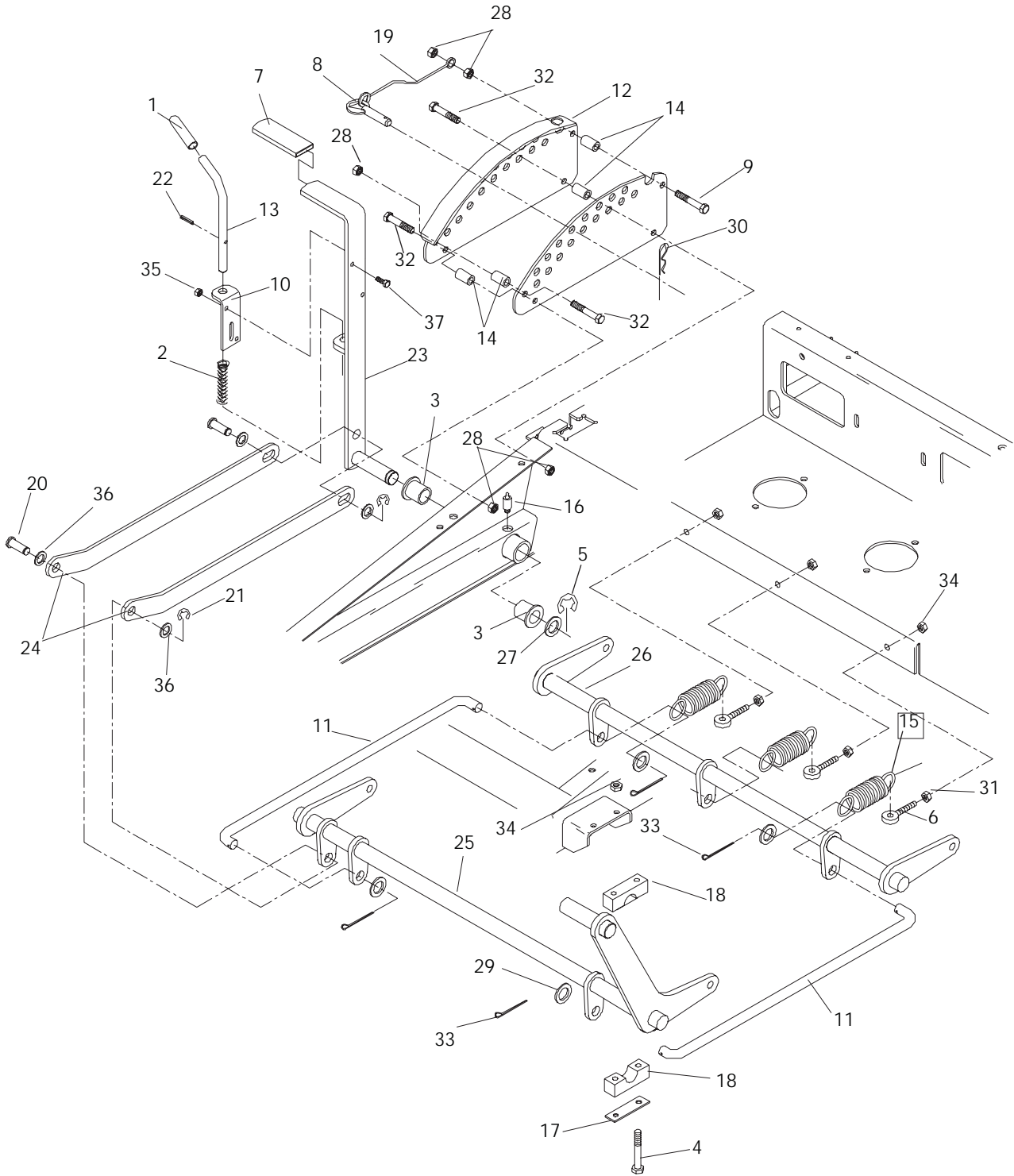
HYDRAULIC PUMP / MOTOR



HYDRAULIC PUMP / MOTOR

| ITEM | PART NO. | QTY. | DESCRIPTION | ITEM | PART NO. | QTY. | DESCRIPTION |
|--------|------------|--------|----------------------------|---------|------------|--------|--|
| 1..... | 539 101202 | 1 | CAP, HYDRO RESERVOIR | 10..... | 539 114715 | 1 | RESERVOIR W/CAP & FLT |
| 2..... | 539 101237 | 4 | HOSE FITTNG, STRAIGHT | 11..... | 539 114834 | 1 | 10CC PUMP RH |
| 3..... | 539 101238 | 1 | ELBOW 90° | 12..... | 539 114862 | 1 | TEE HOSE INLET |
| 4..... | 539 102396 | 4 | FITTING, HYDR | 13..... | 539 114864 | 1 | 10CC PUMP LH |
| 5..... | 539 102606 | 1 | FILTER | 14..... | 539 114870 | 1 | TEE HOSE INLET |
| 6..... | 539 102685 | 1 | CLIP | 15..... | 539 114872 | 2 | FITTING, HYDR 45° |
| 7..... | 539 106067 | 4 | HYDRAULIC LINE | 16..... | 539 976934 | 2 | HCS, ⁵ / ₁₆ C X ³ / ₄ |
| 8..... | 539 110823 | 2 | WHEEL MOTOR | 17..... | 539 990717 | 2 | NUT, ⁵ / ₁₆ C, NYLOC |
| 9..... | 539 113782 | 1 | FITTING, HYDR | | | | |

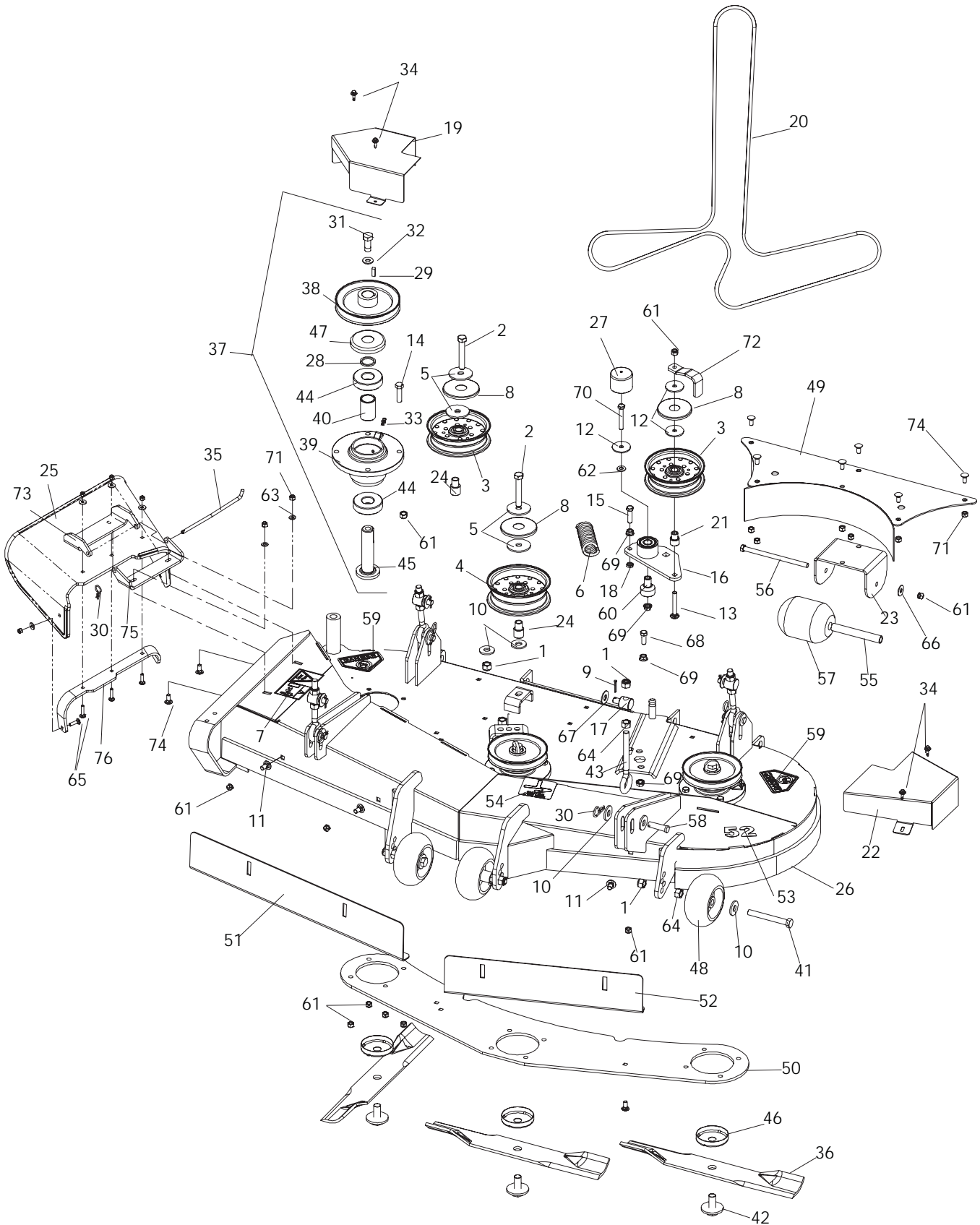
MOWER LIFT / DECK LIFT



MOWER LIFT / DECK LIFT

| ITEM | PART NO. | QTY. | DESCRIPTION | ITEM | PART NO. | QTY. | DESCRIPTION |
|---------|------------|--------|--|---------|------------|--------|---|
| 1..... | 539 101050 | 1 |GRIP | 20..... | 539 105060 | 2 |CLEVIS PIN, ⁵ / ₈ |
| 2..... | 539 101058 | 1 |SPRING | 21..... | 539 105069 | 2 |E-RING, ⁵ / ₈ |
| 3..... | 539 101232 | 2 |FLANGE BUSHING | 22..... | 530 106532 | 1 |PIN, ³ / ₁₆ X 1 ¹ / ₄ , GROOVED |
| 4..... | 539 101721 | 8 |HCS ⁵ / ₁₆ X 2 ³ / ₄ | 23..... | 539 108322 | 1 |LIFT LEVER |
| 5..... | 539 101802 | 1 |E-RING, ⁷ / ₈ | 24..... | 539 114363 | 2 |STRAP, LIFT |
| 6..... | 539 101982 | 3 |EYEBOLT, ⁵ / ₁₆ | 25..... | 539 114364 | 1 |SHAFT, LIFT, FRONT |
| 7..... | 539 102515 | 1 |GRIP, LIFT LEVER | 26..... | 539 114365 | 1 |SHAFT, LIFT, REAR |
| 8..... | 539 102526 | 1 |HITCH PIN | 27..... | 539 923787 | 2 |BUSHING |
| 9..... | 539 102612 | 1 |HCS, ³ / ₈ X 2 ³ / ₄ | 28..... | 539 976979 | 7 |NUT, °, NYLOC |
| 10..... | 539 103534 | 1 |PIN MOUNT | 29..... | 539 976982 | 4 |WASHER, ³ / ₈ |
| 11..... | 539 104310 | 2 |CONNECTING LINK | 30..... | 539 976989 | 1 |4 HAIR PIN |
| 12..... | 539 130486 | 1 |PLATE, ADJ | 31..... | 539 990585 | 3 |NUT, ⁵ / ₁₆ C, WHIZ |
| 13..... | 539 104523 | 1 |L PIN, ¹ / ₂ X 6.69 | 32..... | 539 990629 | 2 |HCS, ⁵ / ₁₆ X 2 ¹ / ₄ |
| 14..... | 539 104530 | 4 |DECK LIFT SPACER | 33..... | 539 990654 | 4 |COTTER PIN |
| 15..... | 539 104760 | 3 |DECK LIFT SPRING | 34..... | 539 990717 | .. 11 |NUT, ⁵ / ₁₆ , NYLOC |
| 16..... | 539 104761 | 1 |GREASE ZERK LONG | 35..... | 539 990761 | 2 |NUT, ¹ / ₄ -20 CENTERLOCK |
| 17..... | 539 104807 | 4 |SUPPORT PLATE | 36..... | 539 991043 | 4 |BUSHING, ⁵ / ₈ |
| 18..... | 539 104808 | 8 |PILLOW BLOCKS | 37..... | 539 990580 | 2 |HCS, ¹ / ₄ -20 X ³ / ₄ , |
| 19..... | 539 105059 | 1 |LANYARD | | | | |

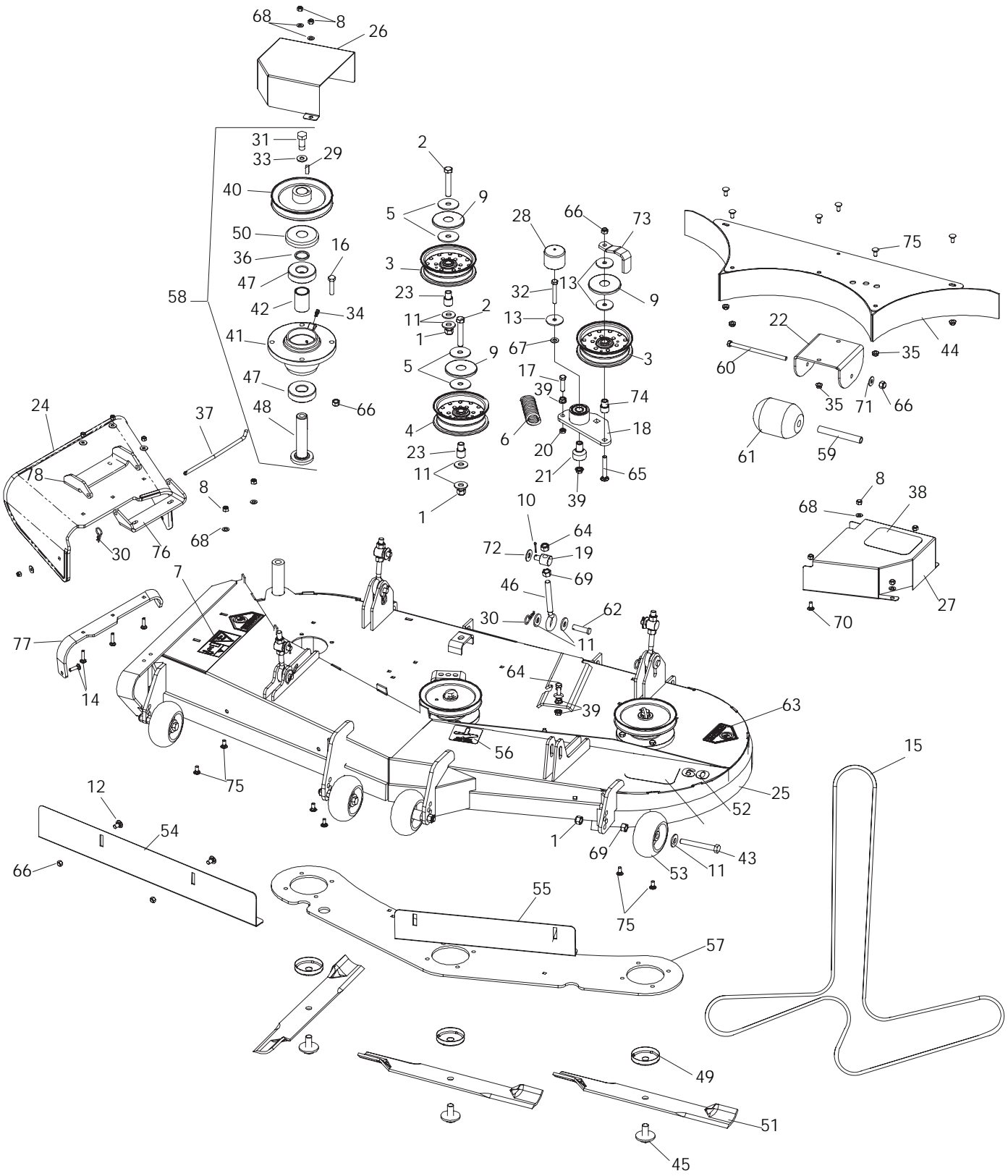
52 INCH CUTTING DECK



52 INCH CUTTING DECK

| ITEM | PART NO. | QTY. | DESCRIPTION | ITEM | PART NO. | QTY. | DESCRIPTION |
|--------|------------|--------|------------------------|--------|------------|--------|-----------------------|
| 1.... | 539 101331 |9 | NUT, ½ HEX NYLOC | 39.... | 539 117970 |1 | DECK HUB |
| 2.... | 539 101572 |2 | HCS, ½-13 x 3 | 40.... | 539 117971 |1 | SPACER |
| 3.... | 539 103257 |2 | IDLER PULLEY | 41.... | 539 108366 |3 | HBB, ½-13 x 4 |
| 4.... | 539 103258 |1 | IDLER PULLEY | 42.... | 539 119007 |3 | BLADE BOLT |
| 5.... | 539 104959 |4 | WASHER, .532 x 2.125 | 43.... | 539 119227 |4 | EYEBOLT |
| 6.... | 539 105192 |1 | SPRING | 44.... | 539 119260 |1 | BEARING |
| 7.... | 539 105746 |1 | DECAL, EURO SEVER | 45.... | 539 119262 |1 | SHAFT |
| 8.... | 539 108450 |3 | TOP DUST CAP | 46.... | 539 119266 |3 | TRASH GUARD |
| 9.... | 539 109246 |4 | PIN COTTER, ⅛ x 1 | 47.... | 539 119811 |2 | TRASH GUARD |
| 10.... | 539 109554 | ...13 | WASHER, ½ | 48.... | 539 107610 |3 | GAUGE WHEEL |
| 11.... | 539 111785 |4 | RHSNB, ⅜-16 x ¾ | 49.... | 539 122070 |1 | W-BAFFLE WLDT |
| 12.... | 539 111897 |3 | WASHER, ⅜ | 50.... | 539 122079 |1 | HUB STIFFNER PLATE |
| 13.... | 539 130235 |1 | RHSNB, ⅜ -16 x 2¾ | 51.... | 539 122106 |1 | BLOW-BY BAFFLE, RH |
| 14.... | 539 990655 | ...12 | HBB, ⅜-16 x 1½ | 52.... | 539 122107 |1 | BLOW-BY BAFFLE, LH |
| 15.... | 539 107042 |1 | HCS, ⅜ -16 x 1½, GR8 | 53.... | 539 130246 |1 | DECAL, 52 |
| 16.... | 539 130391 |1 | ARM, IDLER W/BEARINGS | 54.... | 539 122249 |1 | DECAL, BELT ROUTING |
| 17.... | 539 114405 |4 | SWIVEL | 55.... | 539 122574 |1 | BUSHING |
| 18.... | 539 109332 |1 | NUT, ⅜ -16, JAM | 56.... | 539 122625 |1 | HBB, ⅜ -16 x 6½ |
| 19.... | 539 114501 |1 | PULLEY GUARD-RH | 57.... | 539 122633 |1 | ROLLER, 3¾ DIA. x 4-1 |
| 20.... | 539 114550 |1 | 52" DECK BELT | 58.... | 539 122729 |4 | CLEVIS PIN |
| 21.... | 539 130242 |1 | BUSHING, IDLER | 59.... | 539 913010 |2 | DECAL |
| 22.... | 539 114577 |1 | PULLEY GUARD-LH | 60.... | 539 130205 |1 | PIVOT, BEARING |
| 23.... | 539 114579 |1 | REAR CNTR ROLLER BKT | 61.... | 539 976979 | ...18 | NUT, ⅜ -16, NYLOC |
| 24.... | 539 114582 |2 | SPACER- IDLER | 62.... | 539 990122 |1 | WASHER, ⅜ SAE |
| 25.... | 539 130859 |1 | CHUTE, RUBBER | 63.... | 539 990188 |6 | WASHER, ⅝ SAE |
| 26.... | 539 114644 |1 | DECK W/DECALS | 64.... | 539 990258 |7 | NUT ½-13 |
| 27.... | 539 114823 |1 | CAP | 65.... | 539 102933 |4 | RHSNB, ⅝ -18 x 1¼ |
| 28.... | 539 115326 |1 | SPACER | 66.... | 539 990517 |1 | WASHER, ⅜ |
| 29.... | 539 115387 |1 | KEY | 67.... | 539 990550 |4 | WASHER, ½ |
| 30.... | 539 115501 |5 | COTTER PIN, ⅛ DIA x 1¾ | 68.... | 539 990563 |1 | HCS ⅜ -16 x 1 |
| 31.... | 539 115511 |1 | HBB, ½-20 x 1¼ | 69.... | 539 990613 |5 | NUT, ⅜ -16 HX WHIZ LK |
| 32.... | 539 115636 |1 | WASHER, ½ | 70.... | 539 990637 |1 | HCS ⅜ -16 x 2½ |
| 33.... | 539 115638 |1 | ZERK | 71.... | 539 990717 | ...14 | NUT, ⅝ -18 HEX NYLOC |
| 34.... | 539 115643 |4 | SCREW, 12-14 x ¾, TAP | 72.... | 539 990118 |1 | GUIDE, BELT |
| 35.... | 539 116225 |1 | DEFLECTOR PIN | 73.... | 539 130927 |1 | BRACKET, CHUTE |
| 36.... | 539 117911 |3 | BLADE, HI LIFT 52 | 74.... | 539 107271 | ...10 | RHSNB, ⅝ -18x 1 |
| 37.... | 539 117914 |3 | SPINDLE ASSEMBLY | 75.... | 539 130912 |1 | BRACKET, DECK |
| 38.... | 539 117925 |1 | PULLEY | 76.... | 539 130913 |1 | BRACKET, REINFORCE |

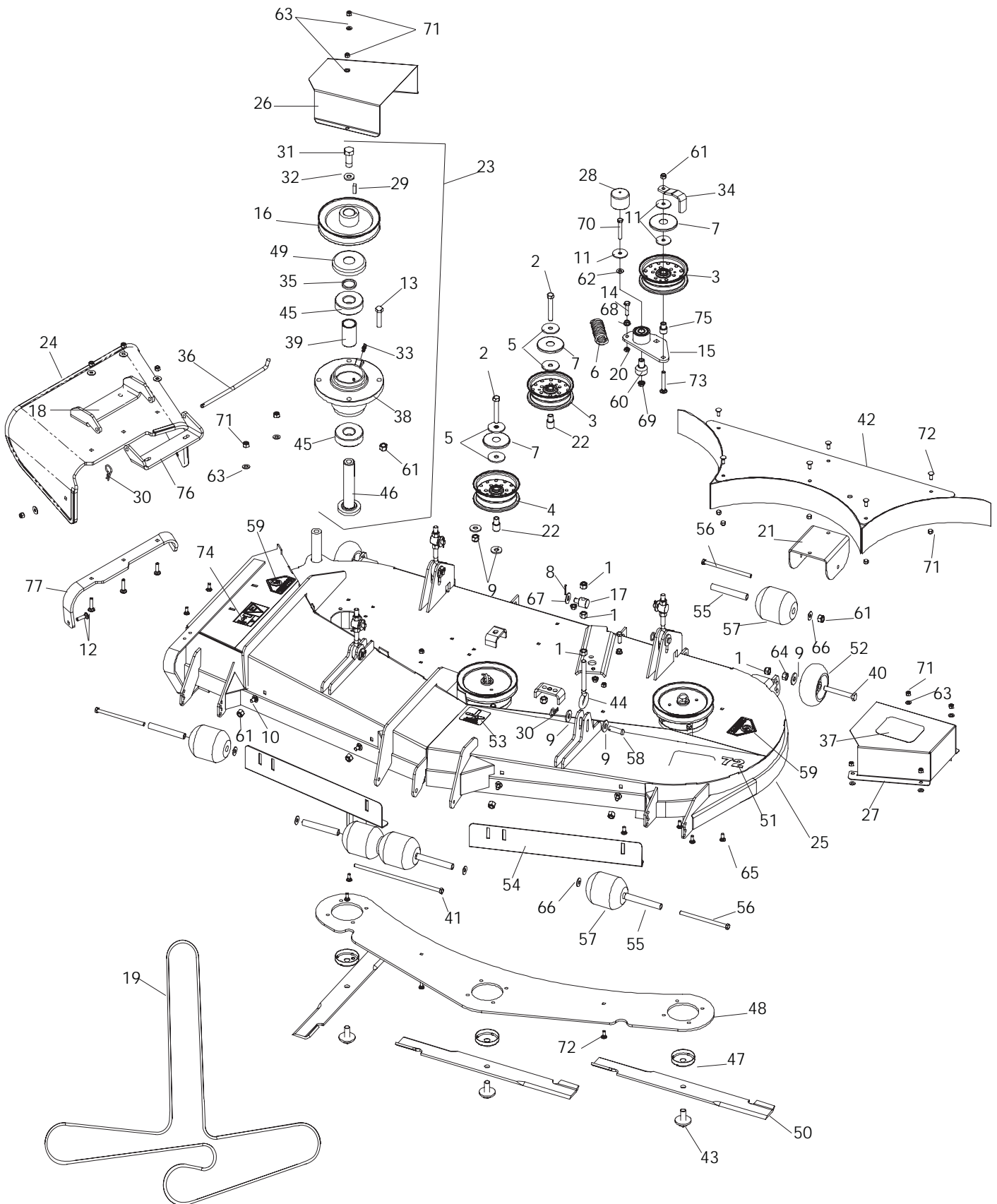
60 INCH CUTTING DECK



60 INCH CUTTING DECK

| ITEM | PART NO. | QTY. | DESCRIPTION | ITEM | PART NO. | QTY. | DESCRIPTION |
|--------|------------|------|-----------------------------|--------|------------|------|--------------------------|
| 1.... | 539 101331 | 11 | NUT, 1/2, NYLOC | 40.... | 539 117926 | 1 | PULLEY |
| 2.... | 539 101572 | 2 | HCS, 1/2 -13 x 3 | 41.... | 539 117970 | 1 | DECK HUB |
| 3.... | 539 103257 | 2 | IDLER PULLEY | 42.... | 539 117971 | 1 | SPACER |
| 4.... | 539 103258 | 1 | IDLER PULLEY | 43.... | 539 108366 | 4 | HBB, 1/2 -13 x 4 |
| 5.... | 539 104959 | 4 | WASHER, .532 x 2.125 | 44.... | 539 118944 | 1 | W-BAFFLE |
| 6.... | 539 105192 | 1 | SPRING | 45.... | 539 119007 | 3 | BLADE BOLT |
| 7.... | 539 105746 | 1 | DECAL | 46.... | 539 119227 | 4 | EYEBOLT |
| 8.... | 539 990717 | 19 | NUT, 5/16 -18, NYLOC | 47.... | 539 119260 | 1 | BEARING |
| 9.... | 539 108450 | 3 | TOP DUST CAP | 48.... | 539 119262 | 1 | SHAFT |
| 10.... | 539 109246 | 4 | PIN COTTER, 1/8 x 1 | 49.... | 539 119266 | 3 | TRASH GUARD |
| 11.... | 539 109554 | 15 | WASHER, 1/2 | 50.... | 539 119811 | 2 | TRASH GUARD |
| 12.... | 539 111785 | 4 | RHSNB, 3/8-16 x 3/4 | 51.... | 539 119840 | 3 | BLADE, HI LIFT FUSION |
| 13.... | 539 111897 | 3 | WASHER, 3/8 | 52.... | 539 130247 | 1 | DECAL, 60 |
| 14.... | 539 102933 | 4 | RHSNB, 5/16 -18 x 1 1/2 | 53.... | 539 107610 | 4 | GAUGE WHEEL |
| 15.... | 539 112529 | 1 | DECK BELT | 54.... | 539 122119 | 1 | BLOW BY BAFFLE |
| 16.... | 539 990655 | 12 | HBB, 3/8-16 x 1 1/2 | 55.... | 539 122120 | 1 | BLOW BY BAFFLE, LH |
| 17.... | 539 107042 | 1 | HCS, 3/8 -16 x 1 1/2, GR8 | 56.... | 539 122249 | 1 | DECAL, BELT ROUTING |
| 18.... | 539 130391 | 1 | ARM, IDLER W/BEARING | 57.... | 539 122282 | 1 | HUB STIFFNER PLATE |
| 19.... | 539 114405 | 4 | SWIVEL | 58.... | 539 122550 | 3 | SPINDLE ASSEMBLY |
| 20.... | 539 109332 | 1 | NUT, 3/8 -16, JAM | 59.... | 539 122574 | 1 | BUSHING |
| 21.... | 539 130205 | 1 | PIVOT, BEARING | 60.... | 539 122625 | 1 | HBB, 3/8 -16 x 6 1/2 |
| 22.... | 539 114580 | 1 | REAR CNTR ROLLER BKT | 61.... | 539 122633 | 1 | ROLLER, 3 3/4 DIA. x 4-1 |
| 23.... | 539 114582 | 2 | SPACER, IDLER | 62.... | 539 122729 | 4 | CLEVIS PIN |
| 24.... | 539 130860 | 1 | CHUTE, RUBBER | 63.... | 539 913010 | 2 | DECAL |
| 25.... | 539 114645 | 1 | DECK w/DECALS | 64.... | 539 990563 | 1 | HCS, 3/8 -16 x 1 |
| 26.... | 539 114653 | 1 | PULLEY GUARD RH | 65.... | 539 130235 | 1 | RHSNB, 3/8 -16 x 2 3/4 |
| 27.... | 539 114655 | 1 | PULLEY GUARD LH | 66.... | 539 976979 | 17 | NUT, 3/8 -16, NYLOC |
| 28.... | 539 114823 | 1 | CAP | 67.... | 539 990122 | 1 | WASHER, 3/8, SAE |
| 29.... | 539 115387 | 1 | KEY | 68.... | 539 990188 | 12 | WASHER, 5/16, SAE |
| 30.... | 539 115501 | 5 | COTTER PIN, 1/8 DIA x 1 3/4 | 69.... | 539 990258 | 8 | NUT, 1/2 -13 |
| 31.... | 539 115511 | 1 | HBB, 1/2 -20 x 1 1/4 | 70.... | 539 990316 | 6 | RHSNB, 5/16-18 x 3/4 |
| 32.... | 539 990637 | 1 | HCS, 3/8 -16 x 2 1/2 | 71.... | 539 990517 | 1 | WASHER, 3/8 |
| 33.... | 539 115636 | 1 | WASHER, 1/2 | 72.... | 539 990550 | 4 | WSHR, 1/2 STD FLT ZD |
| 34.... | 539 115638 | 1 | ZERK | 73.... | 539 114981 | 1 | GUIDE, BELT |
| 35.... | 539 115674 | 6 | L-NUT, 5/16-18, FLANGED | 74.... | 539 130242 | 1 | BUSHING, IDLER |
| 36.... | 539 115753 | 1 | WASHER | 75.... | 539 107271 | 19 | RHSNB, 5/16 -18 x 1 |
| 37.... | 539 116225 | 1 | DEFLECTOR PIN | 76.... | 539 130912 | 1 | BRACKET, PIVOT, DECK |
| 38.... | 539 116696 | 2 | REAR FLOOR PAD-LH | 77.... | 539 130914 | 1 | BRACKET, REINFORCE |
| 39.... | 539 990613 | 3 | NUT, 3/8 -16, WHIZ LK | 78.... | 539 130927 | 1 | BRACKET, PIVOT, CHUTE |

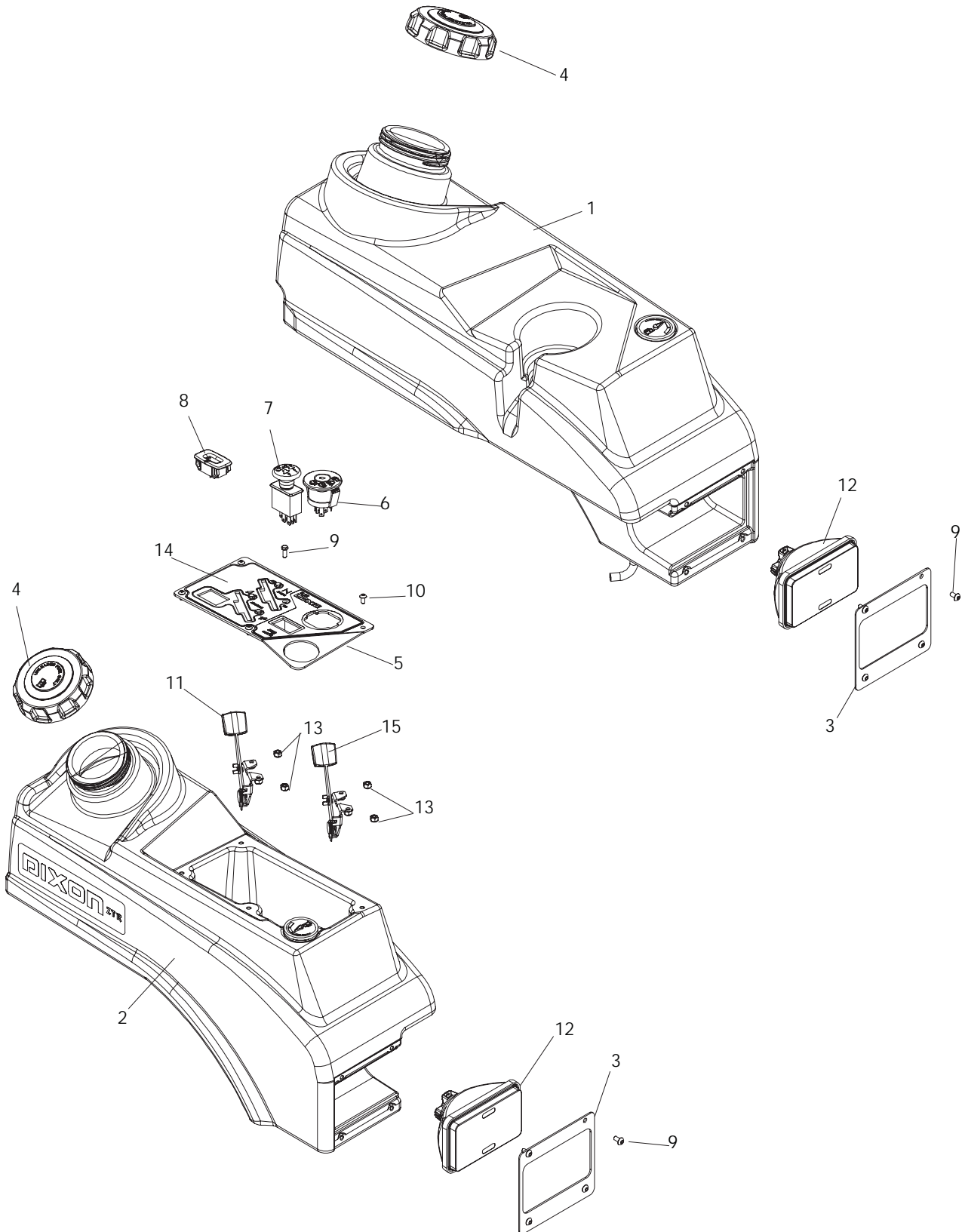
72 INCH CUTTING DECK



72 INCH CUTTING DECK

| ITEM | PART NO. | QTY. | DESCRIPTION | ITEM | PART NO. | QTY. | DESCRIPTION |
|--------|------------|--------|-----------------------------|--------|------------|--------|--------------------------|
| 1.... | 539 101331 |8 | NUT, 1/2, NYLOC | 40.... | 539 108366 |2 | HBB, 1/2 -13 x 4 |
| 2.... | 539 101572 |2 | HCS, 1/2-13 x 3 | 41.... | 539 118929 |1 | HBB, 3/8 -16 x 12 |
| 3.... | 539 103257 |2 | IDLER PULLEY | 42.... | 539 118974 |1 | W-BAFFLE |
| 4.... | 539 103258 |1 | IDLER PULLEY | 43.... | 539 119007 |3 | BLADE BOLT |
| 5.... | 539 104959 |4 | WASHER, .532 x 2.125 | 44.... | 539 119227 |4 | EYEBOLT |
| 6.... | 539 105192 |1 | SPRING | 45.... | 539 119260 |1 | BEARING |
| 7.... | 539 108450 |3 | TOP DUST CAP | 46.... | 539 119262 |1 | SHAFT |
| 8.... | 539 109246 |4 | PIN COTTER, 1/8 x I | 47.... | 539 119266 |3 | TRASH GUARD |
| 9.... | 539 109554 | ...12 | WASHER, 1/2 | 48.... | 539 119306 |1 | HUB STIFFENER PLATE |
| 10.... | 539 111785 |4 | RHSNB, 3/8-16 x 3/4 | 49.... | 539 119811 |2 | TRASH GUARD |
| 11.... | 539 111897 |3 | WASHER, 3/8 | 50.... | 539 119841 |3 | BLADE, HI LIFT FUSION |
| 12.... | 539 102933 |4 | RHSNB, 5/16 -18 x 1 1/2 | 51.... | 539 130248 |1 | DECAL, 72 |
| 13.... | 539 990655 | ...12 | HBB, 3/8 -16 x 1 1/2 | 52.... | 539 107610 |2 | GAUGE WHEEL |
| 14.... | 539 107042 |1 | HCS, 3/8 -16 x 1 1/2, GR8 | 53.... | 539 122249 |1 | DECAL, BELT ROUTING |
| 15.... | 539 130391 |1 | ARM, IDLER, W/BEARINGS | 54.... | 539 122564 |1 | BLOW BY BAFFLE |
| 16.... | 539 114039 |1 | PULLEY | 55.... | 539 122574 |5 | BUSHING |
| 17.... | 539 114405 |4 | SWIVEL | 56.... | 539 122625 |3 | HBB, 3/8 -16 x 6 1/2 |
| 18.... | 539 130927 |1 | BRACKET, PIVOT, CHUTE | 57.... | 539 122633 |5 | ROLLER, 3 3/4 DIA. x 4-1 |
| 19.... | 539 114552 |1 | DECK BELT | 58.... | 539 122729 |4 | CLEVIS PIN |
| 20.... | 539 109332 |1 | NUT, 3/8 -16, JAM | 59.... | 539 913010 |2 | DECAL |
| 21.... | 539 114581 |1 | REAR CNTR ROLLR BKT | 60.... | 539 130205 |1 | PIVOT, BEARING |
| 22.... | 539 114582 |2 | SPACER- IDLER | 61.... | 539 976979 | ...21 | NUT, 3/8 -16, NYLOC |
| 23.... | 539 114599 |3 | SPINDLE ASSEMBLY 72 | 62.... | 539 990122 |1 | WASHER, 3/8, SAE |
| 24.... | 539 130861 |1 | CHUTE | 63.... | 539 990188 | ...10 | WASHER, 5/16, SAE |
| 25.... | 539 114646 |1 | DECK W/DECALS | 64.... | 539 990258 |6 | NUT, 1/2 -13 |
| 26.... | 539 114657 |1 | PULLEY GUARD, RH | 65.... | 539 990316 |8 | RHSNB, 5/16 -18 x 3/4 |
| 27.... | 539 114659 |1 | PULLEY GUARD, LH | 66.... | 539 990517 |5 | WASHER, 3/8 |
| 28.... | 539 114823 |1 | CAP | 67.... | 539 990550 |4 | WASHER, 1/2 |
| 29.... | 539 115387 |1 | KEY | 68.... | 539 990563 |1 | HCS, 3/8 -16 x 1 |
| 30.... | 539 115501 |5 | COTTER PIN, 1/8 DIA x 1 3/4 | 69.... | 539 990613 |3 | NUT, 3/8 -16, WHIZ LK |
| 31.... | 539 115511 |1 | HBB, 1/2 -20 x 1 1/4 | 70.... | 539 990637 |1 | HCS, 3/8 -16 x 2 1/2 |
| 32.... | 539 115636 |1 | WASHER, 1/2 | 71.... | 539 990717 | ...20 | NUT, 5/16 -18, NYLOC |
| 33.... | 539 115638 |1 | ZERK | 72.... | 539 107271 | ...10 | RHSSNB, 5/16 x 1 |
| 34.... | 539 114981 |1 | GUIDE, BELT | 73.... | 539 130235 |1 | RHSNB, 3/8 -16 x 2 3/4 |
| 35.... | 539 115753 |1 | WASHER | 74.... | 539 105746 |1 | DECAL, EURO SEVER |
| 36.... | 539 116225 |1 | DEFLECTOR PIN | 75.... | 539 130242 |1 | BUSHING, IDLER |
| 37.... | 539 116696 |2 | REAR FLOOR PAD-LH | 76.... | 539 130912 |1 | PIVOT, BRACKET, DECK |
| 38.... | 539 117970 |1 | DECK HUB | 77.... | 539 130915 |1 | BRACKET, REINFORCE |
| 39.... | 539 117971 |1 | SPACER | | | | |

CONTROLS

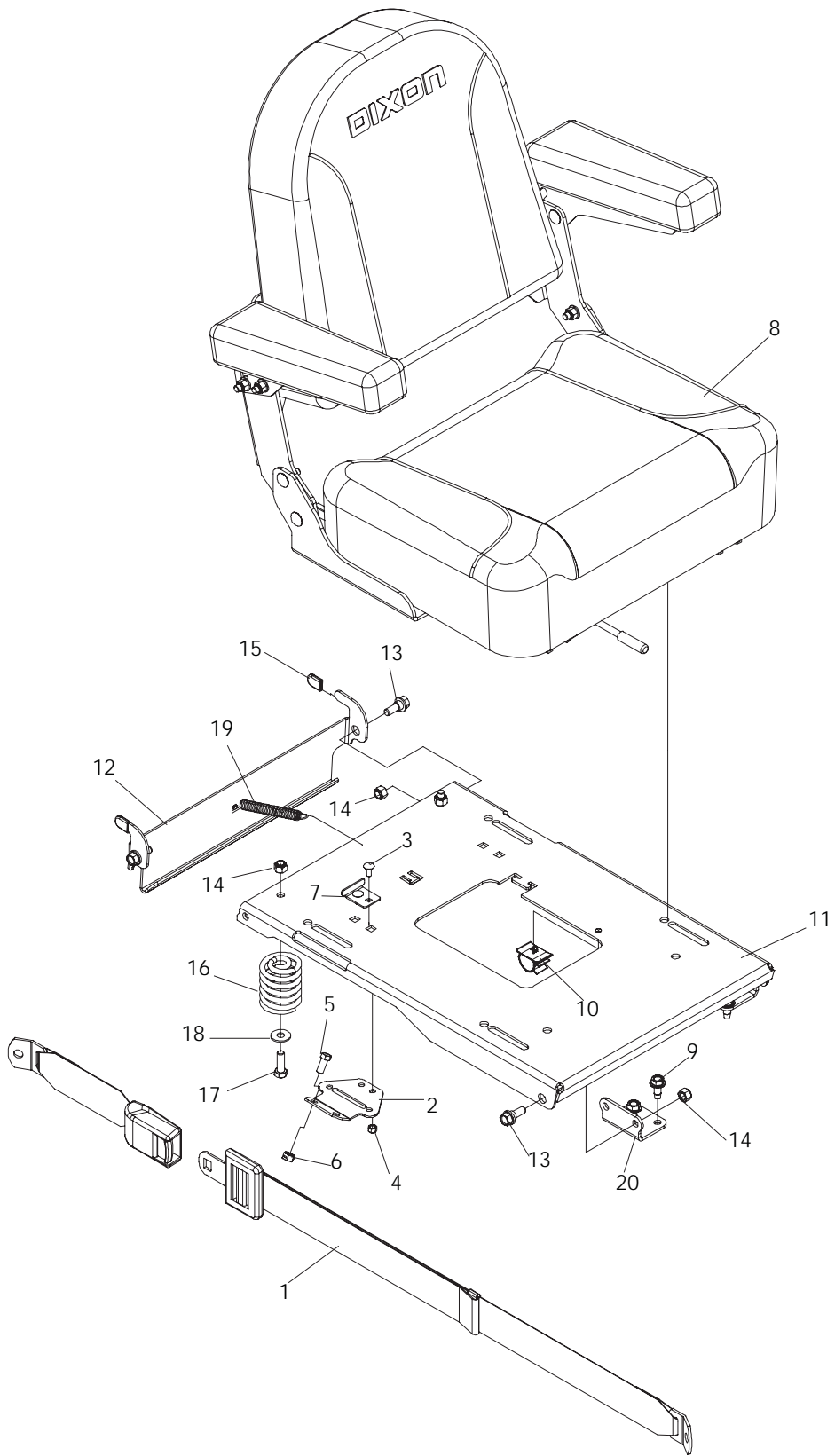


CONTROLS

| ITEM | PART NO. | QTY. | DESCRIPTION |
|------|------------|------|-------------------|
| 1 | 539 114057 | 1 | TANK, FUEL, LEFT |
| 2 | 539 114058 | 1 | TANK, FUEL, RIGHT |
| 3 | 539 114075 | 2 | PLATE, LIGHT |
| 4 | 539 106188 | 2 | FUEL CAP |
| 5 | 539 114066 | 1 | CONTROL PANEL |
| 6 | 539 107541 | 1 | SWITCH, IGNITION |
| 7 | 539 101768 | 1 | CLUTCH SWITCH |
| 8 | 539 110074 | 1 | HOUR METER |

| ITEM | PART NO. | QTY. | DESCRIPTION |
|------|------------|------|-------------------------|
| 9 | 539 990411 | 4 | SCREW, 10-24 x 1/2, SLT |
| 10 | 539 114341 | 12 | SCR 10-24 x 3/8 SCKT HD |
| 11 | 539 118816 | 1 | THROTTLE CABLE |
| 12 | 539 114232 | 2 | LIGHT |
| 13 | 539 976977 | 4 | NUT, 10-24, NYLOC |
| 14 | 539 114068 | 1 | DECAL, CONTROL |
| 15 | 539 121866 | 1 | CHOKE CABLE |

SEAT

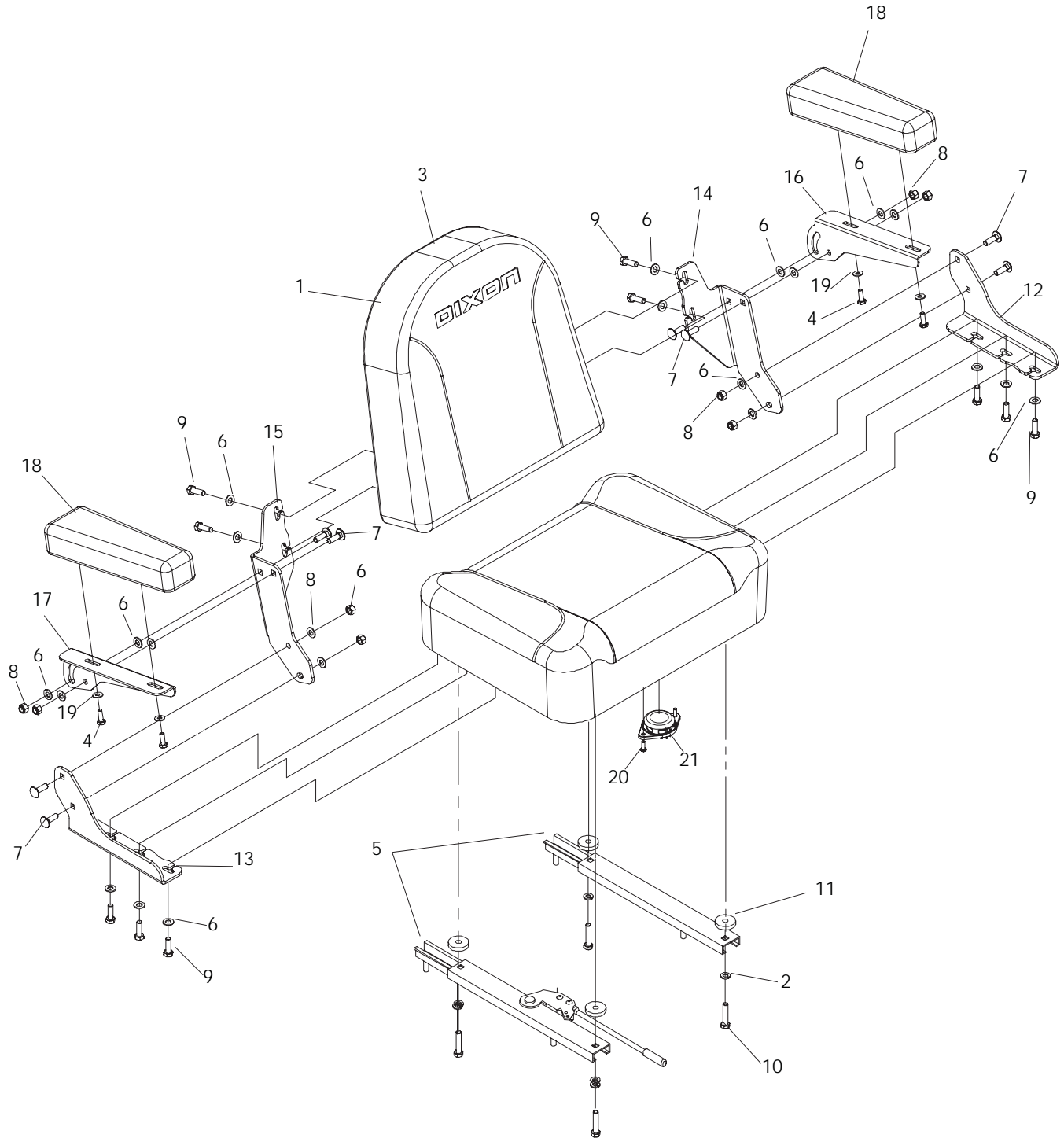


SEAT

| ITEM | PART NO. | QTY. | DESCRIPTION | ITEM | PART NO. | QTY. | DESCRIPTION |
|------|------------|------|---|------------|------------|--|--------------------------------|
| 1 | 539 111026 | 1 | SEAT BELT | 10 | 539 110815 | 1 | PUSH MOUNT WIRE CLIP |
| 2 | 539 130791 | 2 | MOUNT, SEAT BELT | 11 | 539 130785 | 1 | PAN, SEAT |
| 3 | 539 109100 | 4 | RHSNB, $\frac{5}{16}$ -18 x $\frac{3}{4}$ | 12 | 539 130787 | 1 | LATCH, SEAT |
| 4 | 539 990717 | 4 | NUT, $\frac{5}{16}$ -18, NYLOC | 13 | 539 130896 | 4 | SB, $\frac{5}{16}$ -18 |
| 5 | 539 100143 | 2 | HCS, $\frac{7}{16}$ -14 x 1 | 14 | 539 990717 | 6 | NUT, $\frac{5}{16}$ -18, NYLOC |
| 6 | 539 990839 | 2 | NUT, $\frac{7}{16}$ -14, CTRLK, GR A | 15 | 539 130898 | 2 | GRIP, VINYL |
| 7 | 539 130793 | 1 | STOP, SEAT | 16 | 539 110300 | 2 | SPRING, SEAT |
| 8 | 539 119274 | 1 | SEAT, COMPLETE, MODELS: 968999591, 968999592, 968999627, 968999628, UNITS PRODUCED BEFORE SERIAL NO. 0741XXXXX | 17 | 539 990209 | 2 | HCS, $\frac{5}{16}$ -18 x 1 |
| | 539 130930 | 1 | SEAT, COMPLETE, MODELS: 968999591, 968999592, 968999627, 968999628, UNITS PRODUCED AFTER SERIAL NO. 0741XXXXX | 18 | 539 990692 | 2 | WASHER, $\frac{5}{16}$ |
| 9 | 539 107475 | 4 | BOLT, $\frac{5}{16}$ -18 x $\frac{3}{4}$, THD FRM | 19 | 539 977250 | 1 | SPRING |
| | | | | 20 | 539 130789 | 2 | PIVOT, SEAT PAN |
| | | | | NOT SHOWN: | | | |
| | | | | 539 104392 | 1 | SEAT HARNESS, UNITS PRODUCED BEFORE SERIAL NO. 0741XXXXX | |
| | | | | 539 130872 | 1 | SEAT HARNESS, UNITS PRODUCED AFTER SERIAL NO. 0741XXXXX | |

SEAT

MODELS: 968999588, 968999590, 968999626

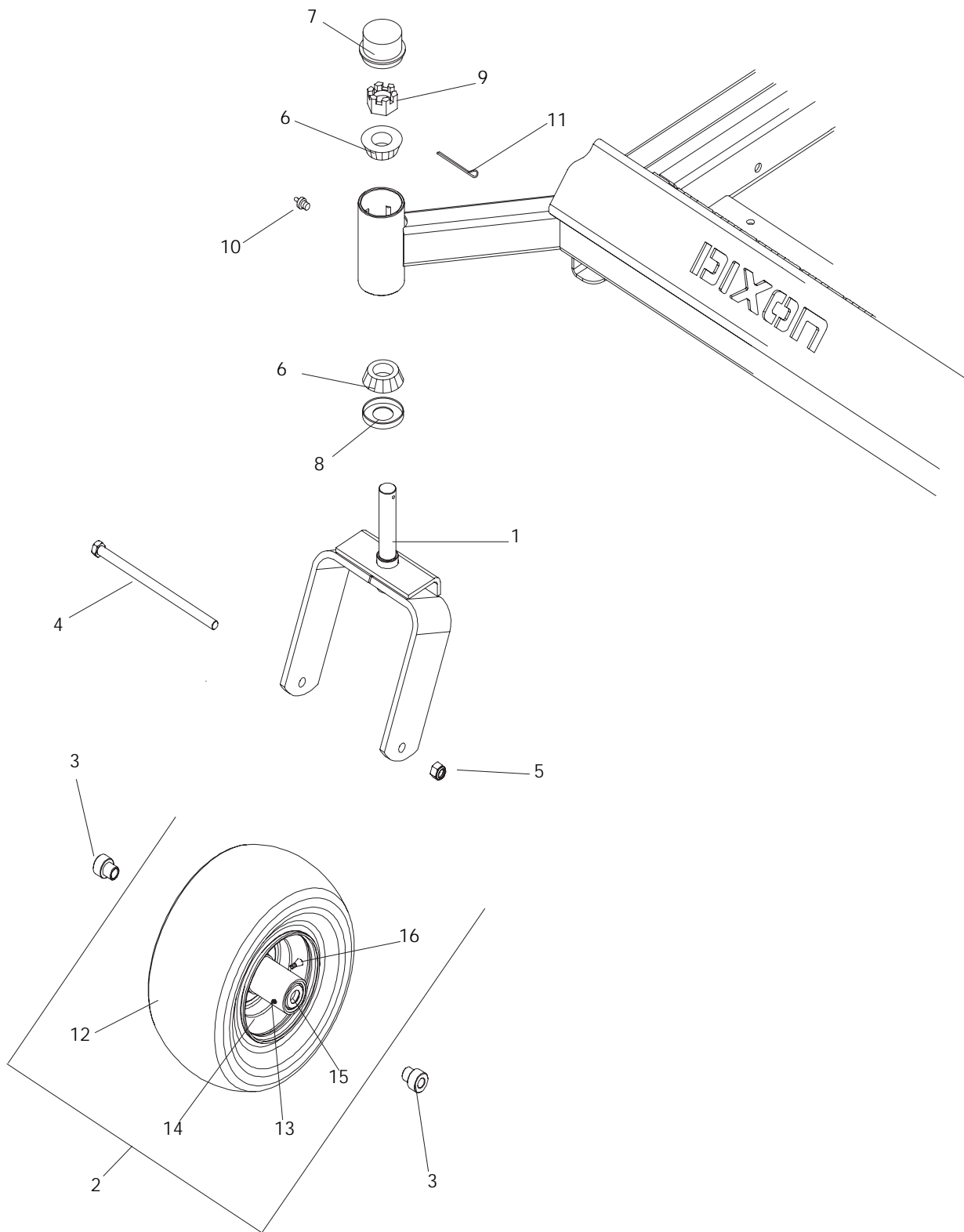


SEAT

MODELS: 968999588, 968999590, 968999626

| ITEM | PART NO. | QTY. | DESCRIPTION | ITEM | PART NO. | QTY. | DESCRIPTION |
|------|------------|------|--|-----------------|------------|---|---|
| 1 | 539 122379 | 1 | SEAT ASSEMBLY COMPL Includes Items 2-19 | 14 | 539 118629 | 1 | SEAT BACK BRACKET - LH |
| 2 | 539 990187 | 4 | LOCKWASH, ⁵ / ₁₆ | 15 | 539 118630 | 1 | SEAT BACK BRACKET - RH |
| 3 | 539 122380 | 1 | SEAT BACK | 16 | 539 121713 | 1 | ARM REST BRACKET - LH |
| 4 | 539 990580 | 4 | HCS, 1/4-20 x 3/4 | 17 | 539 121714 | 1 | ARM REST BRACKET - RH |
| 5 | 539 128796 | 1 | SEAT SLIDE (SET) | 18 | 539 121719 | 2 | ARM REST |
| 6 | 539 990188 | 22 | WASHER, ⁵ / ₁₆ SAE | 19 | 539 990055 | 4 | WASHER, 1/4, SAE |
| 7 | 539 990208 | 8 | RRSNB, ⁵ / ₁₆ -18 x 1 | 20 | 539 108388 | 2 | SCREW, 1/4-20 X 3/4, GR2 |
| 8 | 539 990717 | 8 | NUT, ⁵ / ₁₆ -18, NYLOC | 21 | 539 131155 | 1 | SEAT SWITCH KIT, UNITS PRODUCED BEFORE SERIAL NO. 0741XXXXX |
| 9 | 539 115566 | 10 | HHB, ⁵ / ₁₆ -18 x 1, NYLOC | 539 117398 | 1 | SEAT SWITCH KIT, UNITS PRODUCED AFTER SERIAL NO. 0741XXXXX | |
| 10 | 539 115682 | 4 | HHB, ⁵ / ₁₆ -18 x 1 1/2, NYLOC | | | | |
| 11 | 539 115789 | 4 | WASHER, NYLON | | | | |
| 12 | 539 118627 | 1 | SEAT BOTTOM BRKT - LH | | | | |
| 13 | 539 118628 | 1 | SEAT BOTTOM BRKT - RH | | | | |

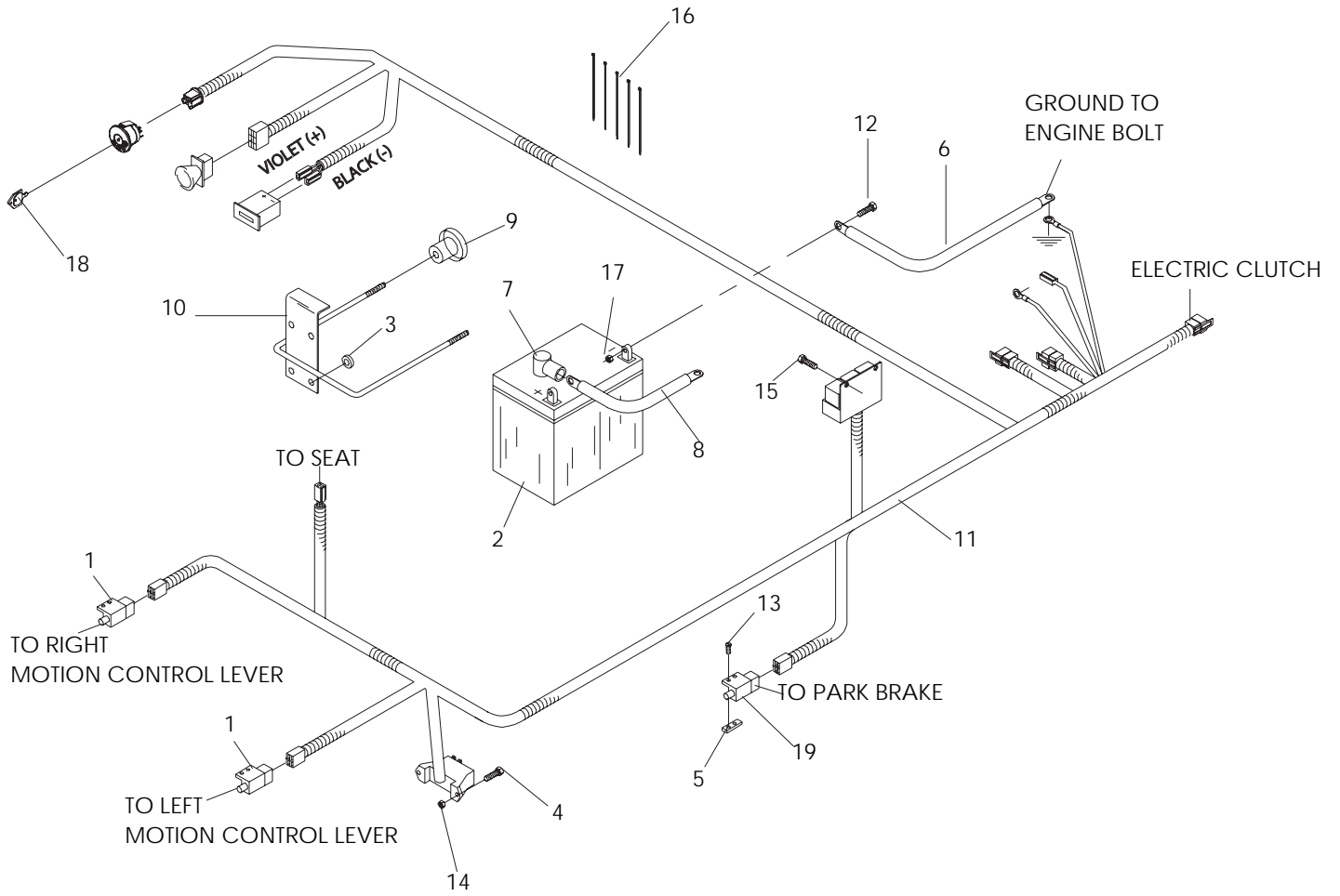
CASTERS



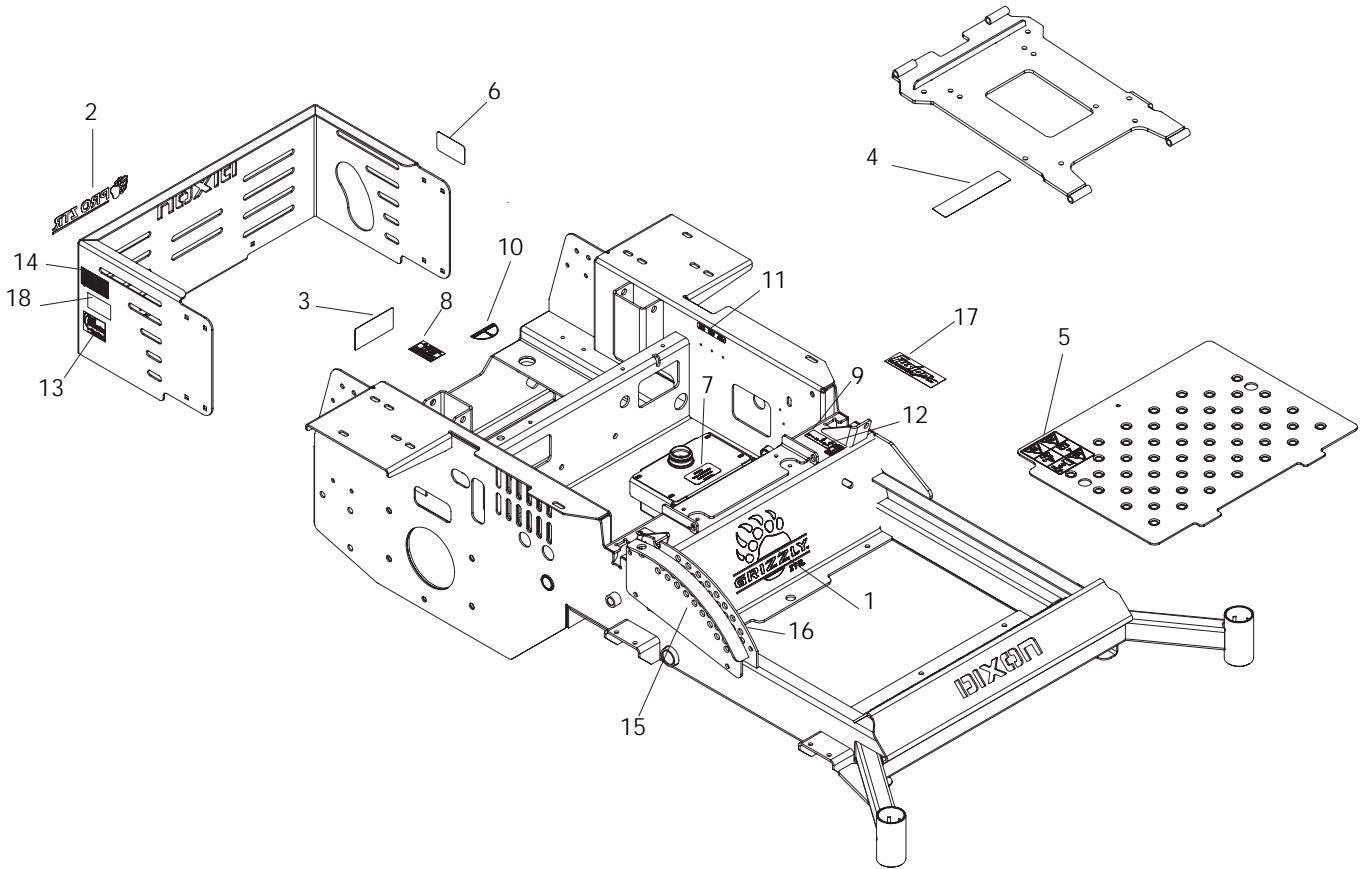
CASTERS

| ITEM | PART NO. | QTY. | DESCRIPTION | ITEM | PART NO. | QTY. | DESCRIPTION |
|------|------------|------|------------------------|-----------|------------|------|---------------------|
| 1 | 539 114367 | 2 | YOKE, CASTER | 11 | 539 102889 | 2 | COTTER PIN, 1/8 x 2 |
| 2 | 539 105521 | 2 | TIRE & WHEEL, COMPLETE | 12 | 539 105522 | 2 | TIRE |
| 3 | 539 105518 | 2 | SPACER | 13 | 539 103300 | 2 | ZERK |
| 4 | 539 105517 | 2 | HCS, 1/2-13 x 9 1/2 | 14 | 539 105523 | 2 | RIM |
| 5 | 539 101331 | 2 | NUT, 1/2-13, NYLOC | 15 | 539 105524 | 2 | SEALS |
| 6 | 539 102543 | 4 | BEARING | 16 | 539 912234 | 2 | AIR VALVE |
| 7 | 539 102535 | 2 | GREASE CAP | NOT SHOWN | | | |
| 8 | 539 102851 | 2 | SEAL | | 539 105525 | 4 | BEARING, TAPERED |
| 9 | 539 102852 | 2 | NUT, 1-14, SLOTTED JAM | | | | |
| 10 | 539 101474 | 2 | ZERK | | | | |

ELECTRICAL



DECALS

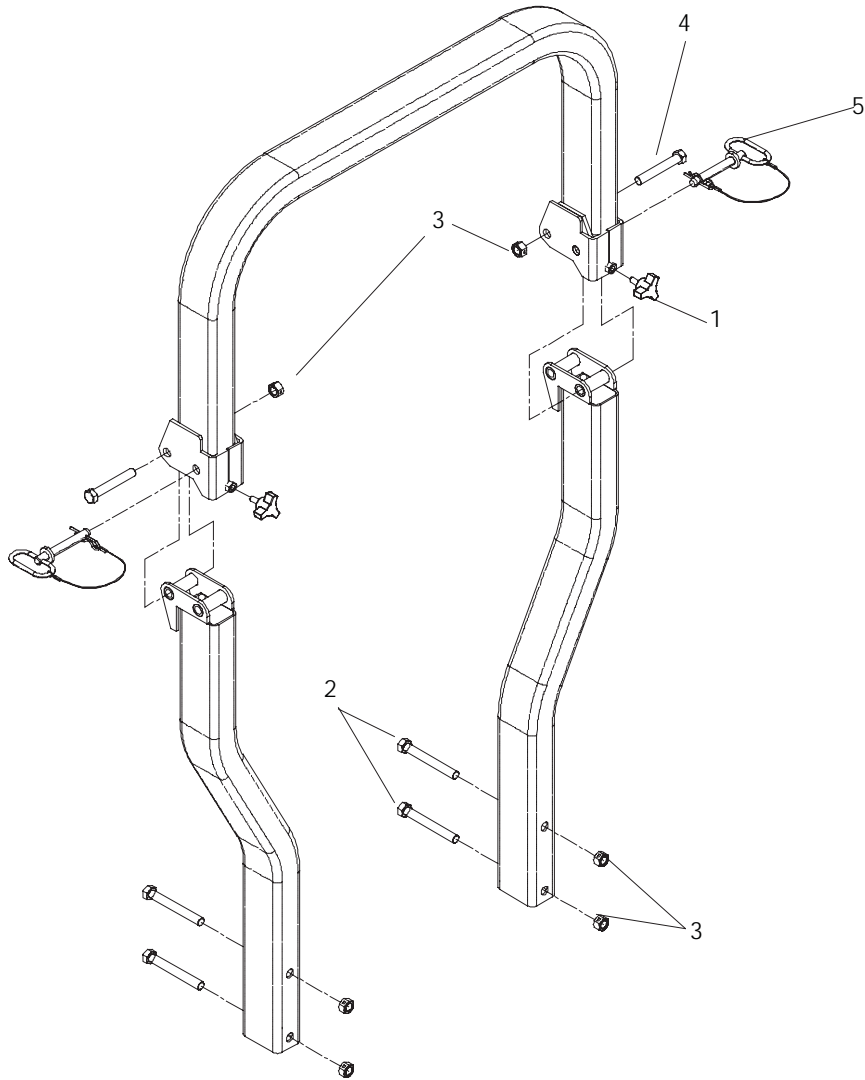


DECALS

| ITEM | PART NO. | QTY. | DESCRIPTION | ITEM | PART NO. | QTY. | DESCRIPTION |
|------|------------|------|-----------------------|------|------------|------|----------------------|
| 1 | 539 114512 | 1 | DECAL, GRIZZLY | 10 | 539 102670 | 1 | DECAL, FUEL VALVE |
| 2 | 539 114510 | 1 | DECAL, PRO ZTR | 11 | 539 111597 | 1 | DECAL, RELAYS |
| 3 | 539 105744 | 1 | DECAL, DANGER,BLT DRV | 12 | 539 110974 | 1 | DECAL, F.S.T. |
| 4 | 539 105745 | 1 | DECAL, WARN, BATTERY | 13 | 539 117708 | 1 | DECAL, PARKER |
| 5 | 539 111575 | 1 | DECAL, WARNING | 14 | 539 117709 | 1 | DECAL, FLAG |
| 6 | 539 101881 | 1 | DECAL, PROP 65 | 15 | 539 104899 | 1 | DECAL, HT INDICATION |
| 7 | 539 114832 | 1 | DECAL, OIL TANK | 16 | 539 104898 | 1 | DECAL, HT INDICATION |
| 8 | 539 100128 | 1 | DECAL, EXHAUST | 17 | 539 117707 | 1 | DECAL, FUSION |
| 9 | 539 103333 | 2 | DECAL, MOTION CONTROL | 18 | 539 117704 | 1 | DECAL, KOHLER |

PROTECTION FRAME

ROLLOVER PROTECTION - ROPS



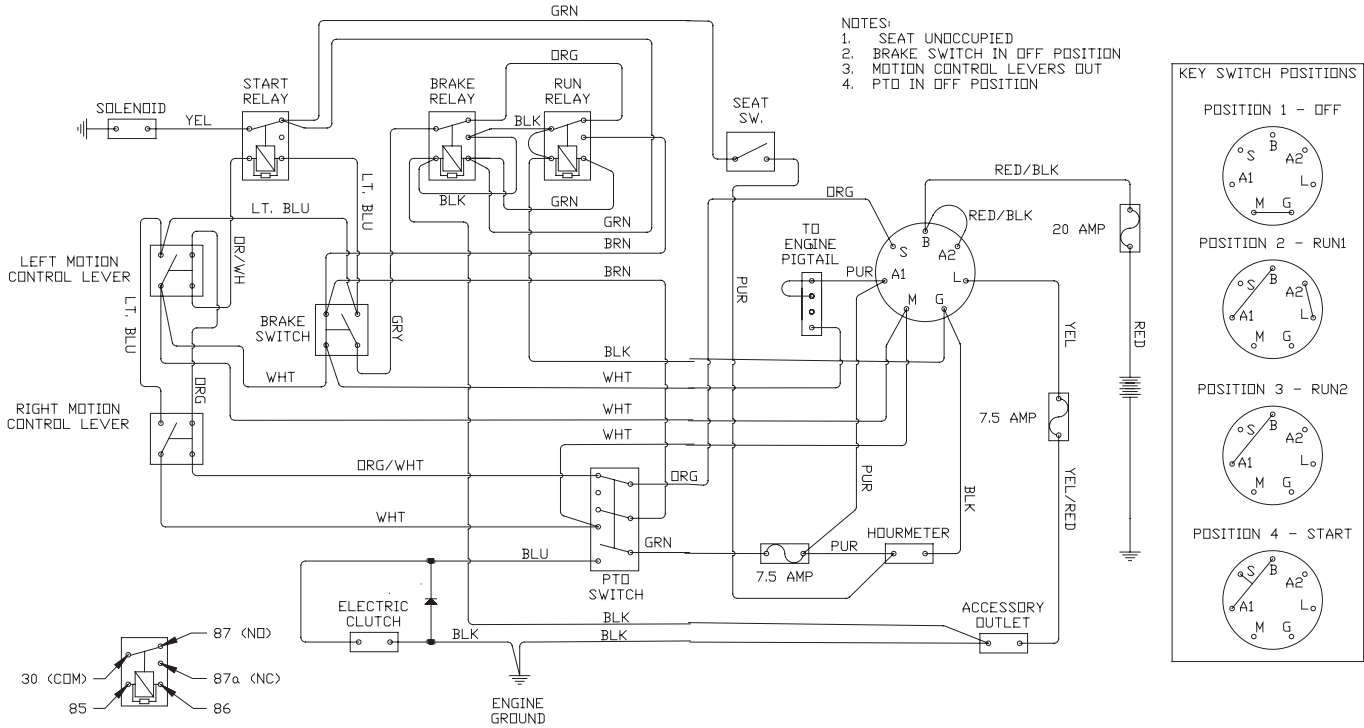
PROTECTION FRAME

ROLLOVER PROTECTION - ROPS

| ITEM | PART NO. | QTY. | DESCRIPTION | ITEM | PART NO. | QTY. | DESCRIPTION |
|------|------------|-------|---------------------|------|------------|-------|-------------------|
| 1... | 539 104411 |2 | KNOB W/ STUD | 4... | 539 103433 |2 | HCS ½ x ¾ GD5 |
| 2... | 539 108366 |4 | HCS ½ x 4 GD5 | 5... | 539 111036 |2 | PIN W/ LANYARD, ½ |
| 3... | 539 200100 |6 | NUT, ½-13 CENTERLCK | | | | |

SCHEMATIC

UNITS PRODUCED AFTER SERIAL NO. 0741XXXXX



SCHEMATIC

UNITS PRODUCED BEFORE SERIAL NO. 0741XXXXX

- NOTES:
1. SEAT UNOCCUPIED
 2. BRAKE SWITCH IN OFF POSITION
 3. MOTION CONTROL LEVERS OUT
 4. PTO IN OFF POSITION

